

(19) World Intellectual Property Organization
International Bureau



(43) International Publication Date
8 March 2001 (08.03.2001)

PCT

(10) International Publication Number
WO 01/15790 A1

(51) International Patent Classification⁷: A63F 13/12,
13/10, G07F 17/34

(21) International Application Number: PCT/AU00/01011

(22) International Filing Date: 25 August 2000 (25.08.2000)

(25) Filing Language: English

(26) Publication Language: English

(30) Priority Data:
PQ 2518 27 August 1999 (27.08.1999) AU

(71) Applicant (for all designated States except US):
GOLDEN CASSET LOTTERY CORPORATION LIMITED [AU/AU]; 87 Ipswich Road, Woolloongabba, QLD 4102 (AU).

(72) Inventors; and

(75) Inventors/Applicants (for US only): **DE BRUIN, Andreas, Cornelis** [AU/AU]; 73 Parkside Drive, Dapto, NSW 2530 (AU). **JONES, Trevor, Selwyn** [AU/AU]; 1/48

Hetherington Street, Herston, QLD 4006 (AU). **ALGIE, Robert, John** [AU/AU]; 75 Denton Park Drive, Abergoasslyn, NSW 2320 (AU). **WOLTER, Michael, James** [AU/AU]; 135 Pur Pur Avenue, Lake Illawarra, NSW 2528 (AU). **DORFER, Harald** [AU/AU]; 25 Goondooloo Drive, Ocean Shores, NSW 2483 (AU). **WILLIAMS, Danny, Travis** [AU/AU]; 4/36 Jellicoe Street, Coorparoo, QLD 4151 (AU). **DALY, Christopher, Stephen** [AU/AU]; 42 Sussex Street, Toowong, QLD 4066 (AU).

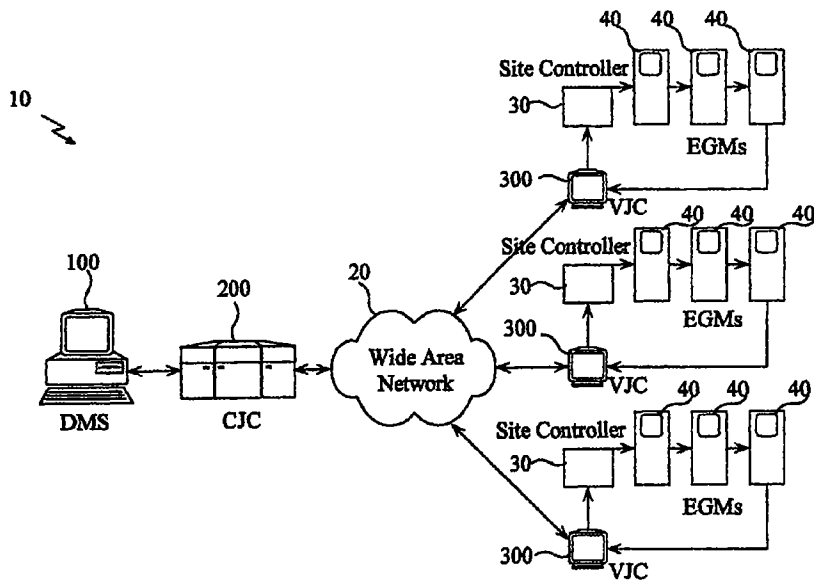
(74) Agent: **CULLEN & CO.**; Level 26, MLC Building, 239 George Street, Brisbane, QLD 4000 (AU).

(81) Designated States (national): AE, AG, AL, AM, AT, AU, AZ, BA, BB, BG, BR, BY, BZ, CA, CH, CN, CR, CU, CZ, DE, DK, DM, DZ, EE, ES, FI, GB, GD, GE, GH, GM, HR, HU, ID, IL, IN, IS, JP, KE, KG, KP, KR, KZ, LC, LK, LR, LS, LT, LU, LV, MA, MD, MG, MK, MN, MW, MX, MZ, NO, NZ, PL, PT, RO, RU, SD, SE, SG, SI, SK, SL, TJ, TM, TR, TT, TZ, UA, UG, US, UZ, VN, YU, ZA, ZW.

(84) Designated States (regional): ARIPO patent (GH, GM, KE, LS, MW, MZ, SD, SL, SZ, TZ, UG, ZW), Eurasian patent (AM, AZ, BY, KG, KZ, MD, RU, TJ, TM), European

[Continued on next page]

(54) Title: A METHOD OF AND SYSTEM FOR OPERATING GAMING MACHINES



(57) Abstract: A method of and system (10) for providing a jackpot award for a plurality of gaming machines (40) is disclosed. The system (10) comprising a plurality of gaming machines (40) linked by at least one venue jackpot controller (300) to a central jackpot controller (200) and the method comprising the steps of increasing a jackpot value by an amount corresponding to a predetermined percentage; randomly determining whether to award the jackpot value; and randomly awarding the jackpot value to a selected gaming machine (40) with a selected venue jackpot controller (300) when jackpot award conditions are met.

WO 01/15790 A1



patent (AT, BE, CH, CY, DE, DK, ES, FI, FR, GB, GR, IE, IT, LU, MC, NL, PT, SE), OAPI patent (BF, BJ, CF, CG, CI, CM, GA, GN, GW, ML, MR, NE, SN, TD, TG).

For two-letter codes and other abbreviations, refer to the "Guidance Notes on Codes and Abbreviations" appearing at the beginning of each regular issue of the PCT Gazette.

Published:

— *With international search report.*

A METHOD OF AND SYSTEM FOR OPERATING GAMING MACHINES

Field of the Invention

The present invention relates generally to gaming machines and, in particular, to a plurality of inter-linked gaming machines that provide a jackpot prize-winning mode of operation. The jackpot prize-winning mode is additional to the prize-winning that occurs during normal play on the machines.

Description of the Prior Art

Systems for awarding jackpot prizes that are separate from the normal prizes available during the normal playing of gaming machines are known. These systems consist of linked gaming machines communicating with a central computer. The central computer receives information from the gaming machines relating to each play on a machine and, sometimes, the value of the wager on the machine. A jackpot prize pool accumulates with each machine play and the accumulated jackpot prize is available on a display. The jackpot prize is awarded when a randomly selected jackpot prize value is reached and the prize is awarded to the player of the machine who was responsible for causing the accumulated jackpot prize to reach or exceed the random value.

Another system uses a prize accumulation phase and a prize awarding phase which are independent of one another. During the prize accumulation phase a starting or initial value is determined as a monetary value between prescribed limits and a random prize value between two limits is added to the initial value. A percentage accumulation is caused in a prize pool when gaming machines are played. When the prize pool equals the sum of the random prize value and the initial value, the prize pool is frozen and the prize accumulation phase is concluded. A prize-awarding phase is then commenced and a "win count" value is randomly selected. Each player of a

machine has a chance of winning the known prize value. The prize-awarding phase is independent of the prize accumulation phase.

Each play-input event during the prize-awarding phase is counted and units wagered are separately accumulated in an "excess pool".

5 A processor then compares the number of input events with the randomly determined win count. If the number of input events is less than the randomly determined win count the process continues. If the number of input events is greater than or equal to the randomly determined win count a win occurs and the machine whose play was responsible for equaling or exceeding the win
10 count is recorded as the winner and the player is entitled to redeem the prize. The excess pool value is then added to the starting value.

It is an object of the present invention to provide a method of and a system for jackpot prize-winning mode of operation, which differs from the previously mentioned systems and encourages machine usage and
15 player enjoyment.

Summary of the Invention

According to a first aspect of the present invention there is provided a method of providing a jackpot award for a plurality of gaming
20 machines linked by at least one venue jackpot controller to a central jackpot controller, the method comprising the steps of:

increasing a jackpot value by an amount corresponding to a predetermined percentage;

randomly determining whether to award the jackpot value; and

25 randomly awarding the jackpot value to a selected gaming machine associated with a selected venue jackpot controller when jackpot award conditions are met.

The jackpot value can have an initial value that is randomly determined.

30 Preferably, the jackpot value can be increased by a percentage

of the total increase in turnover associated with the venue jackpot controllers.

Preferably, the step of determining whether to award the jackpot value further comprises the steps of:

generating a random number from a random number generator;

5 and

determining whether the random number is equal to a jackpot hit value. A range for the random number generator is determined prior to the step of generating the random number.

Preferably, the step of randomly awarding the jackpot value
10 further comprises the steps of:

randomly determining a venue hit number;

adding together the increase in turnover associated with each venue jackpot controller until the addition of the increase in turnover associated with a particular venue jackpot controller results in the venue hit
15 number being equalled or exceeded;

randomly determining a gaming machine hit number;

adding together the increase in turnover of each gaming machine associated with the venue jackpot controller responsible for the venue hit number being equalled or exceeded until the addition of the
20 increase in turnover of a particular gaming machine results in the gaming machine hit number being equalled or exceeded; and

awarding the jackpot value to the gaming machine responsible for the gaming machine hit number being equalled or exceeded.

Preferably, the step of randomly awarding the jackpot value is
25 repeated if the jackpot value is unsuccessfully awarded to a gaming machine.

Preferably, the jackpot award comprises a plurality of jackpot values.

According to a second aspect of the present invention there is provided a system for providing a jackpot award for a plurality of gaming
30 machines, the system comprising:

at least one venue jackpot controller, wherein each venue
jackpot controller is linked to one or more associated gaming machines; and
a central jackpot controller linked to the venue jackpot
controllers, wherein the central jackpot controller periodically polls the venue
5 jackpot controllers, receives data from the venue jackpot controllers,
increases a jackpot value by an amount corresponding to a predetermined
percentage, randomly determines whether to award the jackpot value and
randomly awards the jackpot value to a selected gaming machine associated
with a selected venue jackpot controller when jackpot award conditions are
10 met.

Preferably, at least one jackpot display is linked to an associated
venue jackpot controller. Each venue jackpot controller controls and monitors
an associated jackpot display.

Preferably, the central jackpot controller and the venue jackpot
15 controllers are linked across a network.

Preferably, a data management system is linked to the central
jackpot controller.

Preferably, the jackpot award comprises a plurality of jackpot
values.

20 Preferably, each venue jackpot controller monitors the turnover
of all associated gaming machines.

Preferably, each venue jackpot controller transmits an
associated turnover to the central jackpot controller in response to the central
jackpot controller periodically polling the venue jackpot controllers. The
25 central jackpot controller determines whether the turnover associated with
each venue jackpot controller has increased since the last poll. Any
unacceptable venue turnover is rejected by the central jackpot controller.

Preferably, the central jackpot controller increases the jackpot
value by a percentage of the total increase in turnover associated with the
30 venue jackpot controllers.

Preferably, the central jackpot controller determines whether to award the jackpot value by generating a random number and then determining whether the random number is equal to a jackpot hit value.

Preferably, when the central jackpot controller determines that the jackpot value is to be awarded the central jackpot controller randomly determines a venue hit number and adds together the increase in turnover associated with each venue jackpot controller until the addition of the increase in turnover associated with a particular venue jackpot controller results in the venue hit number being equalled or exceeded. The central jackpot controller then randomly determines a gaming machine hit number and adds together the increase in turnover of each gaming machine associated with the venue jackpot controller responsible for the venue hit number being equalled or exceeded until the addition of the increase in turnover of a particular gaming machine results in the gaming machine hit number being equalled or exceeded. The central jackpot controller then awards the jackpot value to the gaming machine responsible for the gaming machine hit number being equalled or exceeded.

Preferably, the central jackpot controller re-selects a gaming machine if the jackpot value is unsuccessfully awarded to a gaming machine.

Preferably, the jackpot value has an initial value that is randomly determined.

In order that the invention may be more fully understood and put into practice, a preferred embodiment thereof will now be described with reference to the accompanying drawings.

Brief Description of the Drawings

Fig. 1 is a block diagram of a jackpot gaming system according to an embodiment of the invention,

Fig. 2 is a timing diagram of the general polling cycle of the system illustrated in Fig. 1,

Fig. 3 is a timing diagram of the general polling cycle of the system illustrated in Fig. 1 when there is a hit on the Jackpot Hit Value,

Fig. 4 is a block diagram of a Venue Jackpot Controller (VJC) and other associated system elements according to an embodiment of the invention,

Fig. 5 is a block diagram of a Central Jackpot Controller (CJC) and other associated system elements according to an embodiment of the invention,

Fig. 6 is a detailed block diagram of the Venue Jackpot Controller (VJC) illustrated in Fig. 4.

Fig. 7 is a detailed block diagram of the Central Jackpot Controller (CJC) illustrated in Fig. 5,

Fig. 8 is a schematic circuit diagram of a portion of the processor board used in the Central Jackpot Controller (CJC) and the Venue Jackpot Controller (VJC) according to an embodiment of the present invention,

Fig. 9 is a schematic circuit diagram of the TCV25P module used with the processor board of Fig. 8,

Fig. 10 is a schematic circuit diagram of the fibre optic communication module used with the processor board of Fig. 8.

Fig. 11 is a schematic circuit diagram of the display module used with the processor board of Fig. 8,

Fig. 12 is a schematic diagram of a portion of the power board used in the Central Jackpot Controller (CJC) and the Venue Jackpot Controller (VJC) according to an embodiment of the invention,

Fig. 13 is a schematic diagram of the communications module used with the power board of Fig. 12,

Fig. 14 is a schematic diagram of the security board used in the Central Jackpot Controller (CJC) according to an embodiment of the invention,

Fig. 15 is a schematic diagram of the network board used in the Central Jackpot Controller (CJC) and the Venue Jackpot Controller (VJC) according to an embodiment of the invention.

Fig. 16 is a flowchart that illustrates the software flow of the Venue Jackpot Controller (VJC) according to an embodiment of the invention,

Fig. 17 is a flowchart that illustrates the Boot Up stage referred to in Fig. 16,

Fig. 18 is a flowchart that illustrates the Check and Update EGM Tables stage referred to in Fig. 16,

Fig. 19 is a flowchart that illustrates the Process QCOM Loops stage referred to in Fig. 16,

Fig. 20 is a flowchart that illustrates the VJC Turnover Handling stage referred to in Fig. 19,

Fig. 21 is a flowchart that illustrates the software flow of the Central Jackpot Controller (CJC) according to an embodiment of the invention,

Fig. 22 is a flowchart that illustrates the Shut Down stage of the Jackpot Controller software flow according to an embodiment of the invention,

Fig. 23 is a flowchart that illustrates the Boot Up stage referred to in Fig. 21,

Fig. 24 is a flowchart that illustrates the 6 Second Poll Cycle stage referred to in Fig. 21,

Fig. 25 is a flowchart that illustrates the Update Jackpot Levels stage referred to in Fig. 21,

Fig. 26 is a flowchart that illustrates the Jackpot WIN Generation stage referred to in Fig. 21,

Fig. 27 is a flowchart that illustrates the Select Winning Venue stage referred to in Fig. 21,

Fig. 28 is a flowchart that illustrates the Select Winning EGM stage referred to in Fig. 21,

Fig. 29 is a flowchart that illustrates the Display WIN Message stage referred to in Fig. 21, and

Fig. 30 is a flowchart that illustrates the Shut Down stage referred to in Fig. 22,

5

Detailed Description

The system operation will now be described with reference to Figs. 1 to 3.

Fig. 1 is a block diagram of a non-deterministic jackpot system 10. A non-deterministic jackpot system is one in which the triggering of a jackpot win is not dependent on a previous event, and in which there is no increased probability over time of the jackpot being awarded. Thus, the jackpot amount that is offered by the system 10 does not have an upper value limit.

The system 10 comprises a Central Jackpot Controller (CJC) 200 communicating with a plurality of Venue Jackpot Controllers (VJC) 300 via a Wide Area Network (WAN) 20. The CJC 200 also communicates with a Data Management System (DMS) 100.

Each VJC 300 is located at a gaming venue having one or more Electronic Gaming Machines (EGM) 40. The EGMs 40 at each venue communicate with an associated VJC 300 and Site Controller 30. The EGMs 40 could, for example, be electronic poker machines of the type that are commonly supplied at gaming venues.

The system 10 also includes other peripheral equipment such as electronic displays, power supplies and network boards which are not shown in Fig. 1.

The CJC 200 is the controller at the centre of the jackpot system 10. The CJC 200 is the only device in the system 10 that is capable of triggering a jackpot win.

The VJC 300 is a device whose functions include monitoring

30

turnover on the EGMs 40, verifying the turnover for validity and transmitting the turnover to the CJC 200. Each VJC 300 also controls and monitors any associated electronic displays (not shown). There can be more than one VJC 300 located at each venue.

5 The DMS 100 is the user interface to the CJC 200 and VJC 300 devices. The DMS 100 facilitates the uploading of information to the CJC 200 and the receipt of messages from the CJC 200.

 The system 10 works on a 6-second polling cycle with the CJC 200 controlling all system functions and timing. The system 10 provides a
10 plurality of jackpot levels however, for simplicity, only one jackpot level will be discussed here. It should be noted though that with multiple jackpot levels the functions are the same and all jackpot levels are calculated simultaneously.

 Fig. 2 is a timing diagram of the polling cycle of the system 10.

15 The polling cycle is commenced at $T = 0$ seconds when the CJC 200 polls each VJC 300 for the sum of the current accumulated turnover of all EGMs 40 as well as an EGM Cyclic Redundancy Check (CRC) verification number for the associated EGMs 40.

 Since the turnover supplied by each VJC 300 to the CJC 200 is
20 accumulated turnover, this turnover will include turnover from previous polling cycles.

 Cyclic Redundancy Checking is a commonly used technique for obtaining data reliability and is used to protect blocks of data, called frames, from being corrupted. The technique essentially consists of appending an
25 extra n -bit sequence (called a Frame Check Sequence or FCS) to every frame. The FCS holds redundant information about the frame that enables errors in the frame to be detected. Cyclic Redundancy Checking is one of the most commonly used techniques for error detection in data communications and, as a result, this document will not attempt to explain the theory of Cyclic
30 Redundancy Checking in any more detail as it is well known by those skilled

in the art.

The EGM CRC verification number is a number arrived at by calculating a CRC across the turnover contribution of each EGM 40 since the commencement of the previous polling cycle. As an example, assume that there are three EGMs 40 allocated to a particular VJC 300 at a venue, and the increase in turnover of the EGMs 40 since the commencement of the last polling cycle is 3, 2 and 1, respectively. The EGM CRC verification number is calculated by running a CRC across the 3 then continuing across the 2 and continuing across the 1. The resultant number is the EGM CRC verification number. Even though the EGM CRC verification number is sent to the CJC 200 each polling cycle, it is only used during the jackpot verification process when a jackpot is to be awarded.

In the present embodiment, the current accumulated turnover amounts and EGM CRC verification numbers are received by the CJC 200 from each VJC 300 approximately 3 seconds after the commencement of the polling cycle at $T = 0$ seconds.

Upon receiving the current accumulated turnover amounts and EGM CRC verification numbers the CJC 200 checks each current accumulated turnover amount by verifying that the amount sent by each VJC 300 does not exceed a realistic value. At this point it should be noted that the turnover per unit time of an EGM 40 (and, hence, a VJC 300) will have an upper limit which cannot be exceeded by normal play of the EGM 40. Thus, if some of the equipment at a particular venue was tampered with, or malfunctioned in such a way as to simulate a very large turnover in order to influence the jackpot picking process (to be described later), the unrealistic amount would be identified by the CJC 200 which would then take appropriate action.

The current accumulated turnover amounts that pass the verification process are then used to calculate the turnover amount for the current polling cycle or, in other words, the amount of turnover since the last

polling cycle. The turnover amount for the current polling cycle is called the Actual Cycle Turnover (ATC).

After the ATC has been calculated, a percentage of the ATC is added to the jackpot amount (also known as the jackpot value). This percentage is called the Jackpot Increment Percentage and is a constant that is entered into the DMS 100 and then uploaded to the CJC 200. If there is more than one jackpot level, a percentage of the ATC is added to the jackpot amount of each jackpot level. The Jackpot Increment Percentage for each jackpot level may vary. The new jackpot amount is then stored in the CJC 200 and a CRC is built across the new jackpot amount.

The CJC 200 then determines whether to award the updated jackpot amount. This is done by generating a random number within the CJC 200 and comparing the random number with a predefined Jackpot Hit Value. If the random number is equal to the Jackpot Hit Value this is classed as a jackpot hit. If there is more than one jackpot level, a random number is drawn for each jackpot level and compared with a corresponding Jackpot Hit Value.

Before an additive random number generator RNG within the CJC 200 generates the random number, a range called the Jackpot Hit Range for the RNG is first determined. The Jackpot Hit Range is effectively the chance of winning a jackpot during the polling cycle and is inversely proportional to the ATC during the poll. In other words, the higher the ATC for a particular polling cycle, the smaller the Jackpot Hit Range and, hence, the greater the chance of the jackpot being awarded.

The Jackpot Hit Range for a particular polling cycle is calculated as follows:

$$\text{Jackpot Hit Range} = \text{System Range} \times \frac{\text{Expected Turnover Contributed}}{\text{Actual Turnover Contributed}}$$

Where, the System Range and the Expected Turnover Contributed (ETC) are constants that are entered into the DMS 100 and then uploaded to the CJC 200. The System Range is a number that determines the overall (probable) frequency that a particular jackpot level will be awarded at. For example, a

System Range of 100,000 for a particular jackpot level will result in that jackpot level being awarded twice as often compared to the case where the System Range is equal to 200,000. The ETC is an estimate of the amount of turnover that will be contributed to a particular jackpot level for each polling cycle. The Actual Turnover Contributed (ATC) has been discussed previously.

With reference to Fig. 2, if there is no hit on the Jackpot Hit Value of any particular jackpot level, the CJC 200 waits until 6 seconds have elapsed from the commencement of the current polling cycle to commence a new polling cycle in which the previously described process is repeated.

Fig. 3 illustrates the instance where there is a hit on a Jackpot Hit Value of a particular jackpot level. In this case, if the ATC is greater than 0 (i.e. if there was turnover for the polling cycle), the CJC 200 then proceeds to pick the VJC 300 which will be awarded with the jackpot amount of the jackpot level. If there was no turnover for the polling cycle (i.e. ATC is equal to 0) and there was a hit on a Jackpot Hit Value of a particular jackpot level, the jackpot hit is simply ignored and thrown away since no jackpot can be awarded if none of the EGMs 40 were being played during the poll.

In order to pick a winning VJC 300, the CJC 200 uses the ATC as the range for the RNG. The RNG then generates a number which is called the Venue Hit Number. The cycle turnover of each VJC 300 (i.e. the turnover within the current polling cycle of each VJC 300), commencing with a first VJC 300, are then successively added together until the addition of the cycle turnover of a particular VJC 300 results in the Venue Hit Number being equalled or exceeded. The VJC 300 responsible for the Venue Hit Number being equalled or exceeded is the winning VJC 300. Thus, say for example, that there are three VJCs 300 and that the first VJC 300 has a cycle turnover of 9, the second VJC 300 has a cycle turnover of 3 and the third VJC 300 has a cycle turnover of 4. Therefore, the ATC is 16 and this number is used as the range for the RNG. The RNG then generates a Venue Hit Number

between 0 and 16. If the generated Venue Hit Number is 10 (say) the CJC 200 then commences adding the cycle turnover of each VJC 300 starting with the first VJC 300. Thus, starting with 0, the cycle turnover of the first VJC 300 is added giving 9 which does not equal or exceed 10 (the Venue Hit Number) so, the cycle turnover of the second VJC 300 is added which gives 12. Since the addition of the cycle turnover of the second VJC 300 resulted in the Venue Hit Number being exceeded, the second VJC 300 is the winning VJC 300. It should be noted that this method of selecting the winning VJC 300 results in the VJCs 300 with greater cycle contributions to the jackpot levels having a greater chance of winning.

Once all of the winning VJCs 300 of each winning jackpot level have been determined, the winning VJCs 300 are polled (see Fig. 3) by the CJC 200 to transmit the cycle turnover of each of their EGMs 40 starting with the VJC's 300 first EGM 40. The CJC 200 then runs a CRC over the received cycle turnovers of the EGMs 40 and verifies it with the EGM CRC verification number that was previously determined during the first part of the polling cycle. If this verification fails, the system 10 is shutdown because it indicates that the system 10 may possibly have been tampered with. If the verification passes, the CJC 200 then proceeds to determine the EGM 40 (or EGMs 40 in the case of more than one jackpot level having been won) which has won the jackpot level.

The selection of the winning EGM 40 is performed in the same way as the winning VJC 300 is selected. The cycle turnover of the winning VJC 300 is used as the range of the RNG. The RNG then generates an EGM Hit Number. The cycle turnover of each EGM 40 of the winning VJC 300 is then added (starting with the first EGM 40) and the EGM 40 that causes the EGM Hit Number to be equaled or exceeded is the winning EGM 40. Thus, for example, there might be three EGMs 40 with the first EGM 40 having a cycle turnover of 3, the second EGM 40 having a cycle turnover of 2 and the third EGM 40 having a cycle turnover of 2. The cycle turnover of the winning

VJC 300 is therefore equal to 7. The RNG then generates an EGM Hit Number between 0 and 7. Assume that the EGM Hit Number is 5 (say). Now, starting with a value of 0, the cycle turnover of the first EGM 40 is added giving 3 which does not equal or exceed 5 (the EGM Hit Number) so, the cycle turnover of the second EGM 40 is added which gives 5. Since the addition of the cycle turnover of the second EGM 40 resulted in the EGM Hit Number being equalled, the second EGM 40 is the winning EGM 40. This method of selecting the winning EGM 40 results in the EGMs 40 with greater contributions to the jackpot levels having a greater chance of winning.

10 With reference to Fig. 3, once the winning EGM 40 (or EGMs 40 in the case of multiple jackpot levels being won) is determined, the CJC 200 logs the win as being valid and the winning VJC 300 is notified of the win (about 7 seconds after the commencement of the cycle) followed by the other VJCs 300. Checks are made to ensure that each venue has received all
15 jackpot win information. The DMS 100 is also sent the win information.

If a winning VJC 300 fails to acknowledge to the CJC 200 during the jackpot allocation process, the jackpot is deemed not to have occurred and a "re-pick" mode is initiated. In the re-pick mode the CJC 200 will attempt during the next polling cycle to allocate the jackpot. The whole procedure of
20 choosing a winning venue, choosing a winning gaming machine and so on is repeated to ensure that the jackpot is not awarded to an inactive gaming machine.

In order to indicate to players the jackpot amount and/or that a jackpot has been won, each venue is provided with a display that is controlled
25 by a VJC 300. In the winning venue, the display indicates the winning EGM 40 and the winning jackpot amount. At non-winning venues, the winning jackpot amount and the name of the venue where the jackpot was won will be displayed. The displays also indicate when a venue is offline to the CJC 200.
The displays may also be provided with a means for audibly alerting the
30 players when a jackpot has been won.

Next, the current jackpot amount for the awarded jackpot level is reset with a Jackpot Starting Amount, all other online VJCs 300 are notified of the award of the jackpot and then the next polling cycle is commenced. The Jackpot Starting Amount is a constant that is initially entered into the DMS 100 and then uploaded to the CJC 200.

As previously mentioned, the CJC 200 accepts a number of input parameters from the DMS 100 for each jackpot level. These input parameters dictate the operating characteristics of the respective jackpot levels. In summary, the input parameters that must be provided to the CJC 200 are the Jackpot Starting Amount, Jackpot Hit Range, Jackpot Increment Percentage and the Expected Turnover Contribution (ETC). Each of the aforementioned parameters are interrelated and influence the characteristics of the jackpot level at any given time.

The various hardware components of the system 10 will now be discussed with reference to Figs. 4 to 15.

Fig. 4 is a block diagram of the VJC 300 located at a particular venue having a plurality of EGMs 40. The system 10 includes at least one venue with EGMs 40 although it is preferred that a plurality of venues each controlled by a VJC 300 and each having a plurality of EGMs 40 be present in the system 10.

The VJC 300 receives information from the EGMs 40 and is able to transfer information from the EGMs 40 to the network 20 via a suitable Network Termination Unit (NTU) 50. The NTU 50 may comprise a suitable modem for communicating with the CJC 200.

The only verification that the VJC 300 performs is that it checks the validity of the turnover of each associated EGM 40, ensuring that the turnover of each associated EGM 40 does not exceed a given amount within a given time.

Two displays JP0 and JP1 are associated with the VJC 300 and function to display jackpot amounts and a jackpot win message. The displays

also indicate if a venue is offline.

The VJC 300 does not have any user interface or mechanism to permit:

- triggering any jackpot;
- 5 • resetting any jackpot;
- making configuration changes to any site or EGM data;
- changing any jackpot parameters; or
- altering any data pertaining to EGM turnover or jackpot contribution amounts.

10 The VJC 300 controls the jackpot displays JP0, JP1 and their associated meters to denote current jackpot amounts and display jackpot win messages. There is a means of acknowledging that the meters of the jackpot displays JP0, JP1 have received messages. This is monitored by the VJC 300 so that if a meter does not acknowledge, the CJC 200 can be informed of
15 this.

Fig. 5 is a block diagram of the CJC 200 which communicates with the, or each, VJC 300 shown in Fig. 4. The CJC 200 communicates with the DMS 100 via a security device 500 configured for key operation. The CJC 200 operates two displays JP0, JP1 to provide a visual and/or audible
20 indication of jackpot wins. The CJC 200 has high levels of security and data integrity and is able to trigger a jackpot. The CJC 200 may also have high levels of redundancy to ensure efficient and continual operation. The CJC 200 operates the RNG algorithm used to determine whether a jackpot has been won and to select the winning VJC 300 and winning EGM 40.

25 The CJC 200 will accept the following input from the DMS 100:

- venue details;
- EGM 40 configuration details;
- jackpot parameters (discussed previously);
- time;
- 30 • jackpot resets;

- system start-up; and
- system shutdown.

The CJC 200 will provide output to the DMS 100 of the following:

- 5 • system error messages;
- data sufficient to comply with any government regulation requirements;
- data sufficient to permit any Electronic Funds Transfer (EFT) processes to sweep nominated venue accounts of jackpot contributions; and
- 10 • other output sufficient to provide a detailed view of the status of the entire system 10 at any time.

Fig. 6 illustrates the VJC 300 of Fig. 4 in greater detail. In particular, Fig. 6 illustrates the different circuit boards from which the VJC 300 is composed. The circuit boards include a processor board 11, power board 12 and a network board 13.

15 A schematic circuit diagram of a portion of the processor board 11 is illustrated in Fig. 8. The processor board 11 is based around a TCV25P 16-bit microprocessor module 21 (see Fig. 9) that is incorporated into the processor board 11. The TCV25P 16-bit microprocessor module 21, in turn, is based on the NEC V25+ microprocessor. A Real Time Clock (RTC) (not shown) and a Dual UART (DUART) (not shown) are included in the module 20 21 in addition to the extensive peripherals contained within the V25+ processor. The RTC and SRAM of the module 21 can be buffered an external battery. The module 21 and, more particularly, the NEC V25+ microprocessor will not be detailed any further in this document as further 25 information can be obtained from the component manufacturers.

The DIP switch S1 (see Fig. 8) is used to set the address of the VJC 300 in the system 10. For example, if a VJC 300 is to be defined as the first venue in the system 10, the DIP switch must be set with all except the first switch in the OFF position. Likewise, for the VJC 300 to read commands 30 sent from the CJC 200 to the ninth venue, the DIP switch must be set with all

except the first and fourth switches in the OFF position.

Fig. 10 is a schematic circuit diagram of the fibre optic communication module 22 that is incorporated into the processor board 11. The fibre optic communication module 22 provides two fibre optic ports COM5, COM6 and either one or both of these ports can be linked to a Site Controller 30 and EGMs 40. The fibre optic ports COM5, COM6 interface with the processor board 11 via the Philips SCC2692AC1A44 UART (see Fig. 8).

Fig. 11 is a schematic circuit diagram of the display module 23 that is incorporated into the processor board 11. The display module 23 enables the processor board 11 to interface with the displays JP0, JP1 via the communication port COM3.

The processor board 11 also has a number of LEDs that enable the status of the VJC 300 to be ascertained at a glance. A first LED functions as the systems "Heartbeat" LED and indicates that the system 10 is running by periodically turning ON and OFF. A second LED indicates that the VJC 300 has completed its boot sequence. A third LED indicates the VJC 300 is online and enabled.

The power board 12 illustrated in Fig. 6 supplies power to the processor board 11 and the network board 13. The power board 12 derives its power from a plug pack (not referenced) that is rated to supply 9VDC at > 500mA.

Figs. 12 and 13 are schematic circuit diagrams of the power board 12. The power board 12 includes a bridge rectifier D7, some filtering capacitors C2 – C6 and a 5VDC voltage regulator U2. These components provide the regulated 5VDC voltage required by the power board 12, processor board 11 and the network board 13. In addition to supplying power to the various circuit boards contained within the VJC 300, the power board 12 also provides three communication ports, namely COM1, COM2 and COM4. COM1 enables the power board 12 to connect to the network board

13. COM2 enables a PC to be connected to the VJC 300 to monitor the data tables that are stored within the VJC 300. COM 4 is used to program the VJC 300.

Fig. 15 is a schematic diagram of the network board 13 used in the VJC 300. The network board 13 is designed to interface the VJC 300 to the network 20, which is a TCP/IP network.

In summary, the communication ports of the VJC 300 are COM1 through to COM6. The functionality of each of the communication ports is as follows:

- 10 • COM1 – This port is a full duplex RS232 communication port having a maximum baud rate of 115,200bd. This port is used to connect the VJC 300 to the network 20 via the network board 13.
- COM2 – This port is a full duplex RS232 communication port having a maximum baud rate of 115,200bd. This port is used as a debugging port during development and enables setup and fault finding during actual operation of the VJC 300.
- 15 • COM3 – This port is a full duplex RS422 communication port having a maximum baud rate of 38,400bd. This port is used to connect the VJC 300 to the displays JP0 and JP1.
- 20 • COM4 – This port is a full duplex RS232 communication port having a maximum baud rate of 38,400bd. During development, this port is used to upload system parameters to the VJC 300 and is not used during actual operation of the VJC 300.
- COM5, COM6 – These two ports are identical and are both fibre optic ports. They conform to the Hewlett Packard VersaLink system.
- 25

Fig. 7 illustrates the CJC 200 of Fig. 5 in greater detail. In particular, Fig. 7 illustrates the different circuit boards from which the CJC 200 is composed. The circuit boards include a processor board 11, power board 12, security board 500 and a network board 13.

30 The processor board 11 used in the CJC 200 is identical to the

processor board 11 that was previously described in connection with the VJC 300.

The DIP switch (see Fig. 8) on the processor board 11 is not used by the CJC 200. Also, the fibre optic ports COM5, COM6 (see Fig. 10) are only used by the CJC 200 to connect to a standby CRC 200 (see Fig. 5 which illustrates a fully redundant CJC 200).

Displays JP0 and JP1 connect to the processor board 11 via the communication port COM3 of the display module 23 illustrated in Fig. 11.

A number of the LEDs on the processor board 11 enable the status of the CJC 200 to be ascertained at a glance. A first LED functions as the systems "Heartbeat" LED and indicates that the system 10 is running by periodically turning ON and OFF. A second LED indicates that the CJC 200 is running normally. A third LED turns ON and OFF once every six seconds to indicate that the 6-second polling cycle is being performed. The length of ON time compared to OFF time of the third LED provides an indication of the CJC 200 transmit to non-transmit ratio. A fourth LED indicates whether any of the security features associated with the CJC 200 are turned ON or OFF. When the fourth LED is OFF, the security features are ON. When the fourth LED is ON, the security features are not fully ON and alterations may be made to the CJC 200.

In addition to the above, if the first LED is flashing steadily and the second, third and fourth LEDs are ON, this indicates that the CJC 200 is shutdown. This type of indication will usually occur if there is a system-activated shutdown. The reasons that the system may activate a shutdown function on itself include:

- the CJC 200 suffered a power failure;
- the DMS 100 sent a shutdown command to the CJC 200;
- the CJC 200 lost communications with the DMS 100 and the event log is full; or
- the EGM CRCs did not match during a jackpot allocation attempt.

The power board 12 used in the CJC 200 is identical to the power board 12 that was previously described in connection with the VJC 300. However, in addition to providing the regulated 5VDC voltage required by the power board 12, processor board 11 and the network board 13, the power board 12 in the CJC 200 also powers the security board 500. COM1 enables the power board 12 to connect to the network board 13. COM2 connects to the security board 500. COM4 is used to program the CJC 200.

Fig. 14 is a schematic diagram of the security board 500 used in the CJC 200. The security board 500 essentially consists of two microprocessors U1 and U2 that monitor communications between the CJC 200 and the DMS 100 so that only valid information is allowed to pass between the two. If a message to be passed from the DMS 100 to the CJC 200 is valid, the message is passed on. If a message to be passed between the DMS 100 and the CJC 200 is invalid, the message is discarded.

A message is valid when a valid password key (not shown) is inserted into a password key reader (not shown) that communicates with the security board 500. The microprocessors U1, U2 read the password key every 100ms. Therefore, the key must remain in place at all times when the DMS 100 is to send commands to the CJC 200, but is not required for messages from the CJC 200 to the DMS 100.

Different password keys may be programmed to provide different levels of access to the system 10. The password keys used in the system 10 are of the Dallas 1991 (touch multikey) ibutton type. Each key is assigned a security level and a key number. The security level indicates the level of access that is permitted to the holder of the key while the key number is assigned to a person. Thus, any alterations that are made to the system 10 using a particular key will be attributed to the person who is assigned as the holder of the key.

The network board 13 used in the CJC 200 is identical to the network board 13 that was previously discussed in connection with the VJC

300. The network board 13 is designed to interface the CJC 200 to the network 20, which is a TCP/IP network.

In summary, the communication ports of the CJC 200 are COM1 through to COM6. The functionality of each of the communication ports is as follows:

- COM1 – This port is a full duplex RS232 communication port having a maximum baud rate of 115,200bd. This port is used to connect the CJC 200 to the network 20 via the network board 13.
- COM2 – This port is a full duplex RS232 communication port having a maximum baud rate of 115,200bd. This port is used to connect the security board to the CJC 200.
- COM3 – This port is a full duplex RS422 communication port having a maximum baud rate of 38,400bd. This port is used to connect the CJC 200 to the displays JP0 and JP1.
- COM4 – This port is a full duplex RS232 communication port having a maximum baud rate of 38,400bd. During development, this port is used for debugging and is not used during actual operation of the CJC 200.
- COM5, COM6 – These two ports are identical and are both fibre optic ports. They conform to the Hewlett Packard VersaLink standard. These ports can be used by the CJC 200 to connect to a standby CRC 200.

The software flow of the system 10 will now be discussed with reference to Figs. 16 to 30.

Fig. 16 illustrates the major stages in the software flow of the VJC 300.

The Boot Up, Check and Update EGM Tables, and Process QCOM Loops stages of the VJC 300 software flow referred to in Fig. 16 are expanded upon in Figs. 17 to 19, respectively.

Fig. 20 expands upon the VJC Turnover Handling stage referred to in Fig. 19.

A reference to Translux displays in Figs. 16 to 30 is equivalent

to a reference to the displays JP0 and JP1. A reference to EGM tables in Figs. 16 to 30 is a reference to the data tables contained in the VJCs 300 which store information pertaining to associated EGMs 40. A reference to QCOM loops in Figs. 16 to 30 is a reference to the fibre optic loops that
5 connect a VJC 300 to any associated EGMs 40.

Fig. 21 illustrates the major stages in the software flow of the CJC 200.

The Shut Down, Boot Up, 6-Second Poll Cycle, Update Jackpot Levels, Jackpot WIN Generation, Select Winning Venue, Select Winning
10 EGM and Display Winning EGM stages of the CJC 200 software flow referred to in Fig. 21 are expanded upon in Figs. 22 to 30, respectively.

The foregoing describes only one embodiment of the present invention and modifications, obvious to those skilled in the art, can be made thereto without departing from the scope of the present invention.

15 It is to be understood that the term "comprising" as used herein is to be understood in the inclusive sense of "having" or "including" and not in the exclusive sense of "consisting essentially of".

The claims defining the invention are as follows:

1. A method of providing a jackpot award for a plurality of gaming machines linked by at least one venue jackpot controller to a central jackpot controller, the method comprising the steps of:
 - 5 increasing a jackpot value by an amount corresponding to a predetermined percentage;
 - randomly determining whether to award the jackpot value; and
 - randomly awarding the jackpot value to a selected gaming machine associated with a selected venue jackpot controller when jackpot
 - 10 award conditions are met.
2. The method of claim 1 where the jackpot value has an initial value that is randomly determined.
3. The method of claim 1 or 2 where the jackpot value is periodically increased by a percentage of the total increase in turnover
- 15 associated with the venue jackpot controllers.
4. The method of any one of claims 1 to 3 wherein the step of determining whether to award the jackpot value further comprises the steps of:
 - generating a random number from a random number generator;
 - 20 and
 - determining whether the random number is equal to a jackpot hit value.
5. The method of claim 4 wherein a range for the random number generator is determined prior to the step of generating a random number.
- 25 6. The method of any one of claims 1 to 5 wherein the step of randomly awarding the jackpot value further comprises the steps of:
 - randomly determining a venue hit number;
 - adding together the increase in turnover associated with each venue jackpot controller until the addition of the increase in turnover
 - 30 associated with a particular venue jackpot controller results in the venue hit

number being equalled or exceeded;

randomly determining a gaming machine hit number;

adding together the increase in turnover of each gaming machine associated with the venue jackpot controller responsible for the venue hit number being equalled or exceeded until the addition of the increase in turnover of a particular gaming machine results in the gaming machine hit number being equalled or exceeded; and

awarding the jackpot value to the gaming machine responsible for the gaming machine hit number being equalled or exceeded.

10 7. The method of any one of claims 1 to 6 wherein the step of randomly awarding the jackpot value is repeated if the jackpot value is unsuccessfully awarded to a gaming machine.

8. The method of any one of claims 1 to 7 wherein the jackpot award comprises a plurality of jackpot values.

15 9. A system for providing a jackpot award for a plurality of gaming machines, the system comprising:

at least one venue jackpot controller, wherein each venue jackpot controller is linked to one or more associated gaming machines; and

20 a central jackpot controller linked to the venue jackpot controllers, wherein the central jackpot controller periodically polls the venue jackpot controllers, receives data from the venue jackpot controllers, increases a jackpot value by an amount corresponding to a predetermined percentage, randomly determines whether to award the jackpot value and randomly awards the jackpot value to a selected gaming machine associated with a selected venue jackpot controller when jackpot award conditions are met.

10. The system of claim 9 further comprising at least one jackpot display linked to an associated venue jackpot controller.

11. The system of claim 10 wherein each of the venue jackpot controllers control and monitor an associated jackpot display.

30

12. The system of any one of claims 9 to 11 wherein the central jackpot controller and the venue jackpot controllers are linked across a network.

13. The system of any one of claims 9 to 12 further comprising a data management system linked to the central jackpot controller.

14. The system of any one of claims 9 to 13 wherein the jackpot award comprises a plurality of jackpot values.

15. The system of any one of claims 9 to 14 wherein each venue jackpot controller monitors the turnover of all associated gaming machines.

16. The system of any one of claims 9 to 15 wherein each venue jackpot controller transmits an associated turnover to the central jackpot controller in response to the central jackpot controller periodically polling the venue jackpot controllers.

17. The system of claim 16 wherein the central jackpot controller determines whether the turnover associated with each venue jackpot controller has increased since the last poll.

18. The system of claim 17 wherein any unacceptable venue turnover is rejected by the central jackpot controller.

19. The system of any one of claims 9 to 18 wherein the central jackpot controller periodically increases the jackpot value by a percentage of the total increase in turnover associated with the venue jackpot controllers.

20. The system of any one of claims 9 to 19 wherein the central jackpot controller determines whether to award the jackpot value by generating a random number and then determining whether the random number is equal to a jackpot hit value.

21. The system of any one of claims 9 to 20 wherein when the central jackpot controller determines that the jackpot value is to be awarded the central jackpot controller randomly determines a venue hit number and adds together the increase in turnover associated with each venue jackpot controller until the addition of the increase in turnover associated with a

particular venue jackpot controller results in the venue hit number being equalled or exceeded.

22. The system of claim 21 wherein the central jackpot controller randomly determines a gaming machine hit number and adds together the
5 increase in turnover of each gaming machine associated with the venue
jackpot controller responsible for the venue hit number being equalled or
exceeded until the addition of the increase in turnover of a particular gaming
machine results in the gaming machine hit number being equalled or
exceeded.

10 23. The system of claim 22 wherein the central jackpot controller
awards the jackpot value to the gaming machine responsible for the gaming
machine hit number being equalled or exceeded.

24. The system of any one of claims 9 to 23 wherein the central
jackpot controller re-selects a gaming machine if the jackpot value is
15 unsuccessfully awarded to a gaming machine.

25. The system of any one of claims 9 to 24 wherein the jackpot
value has an initial value that is randomly determined.

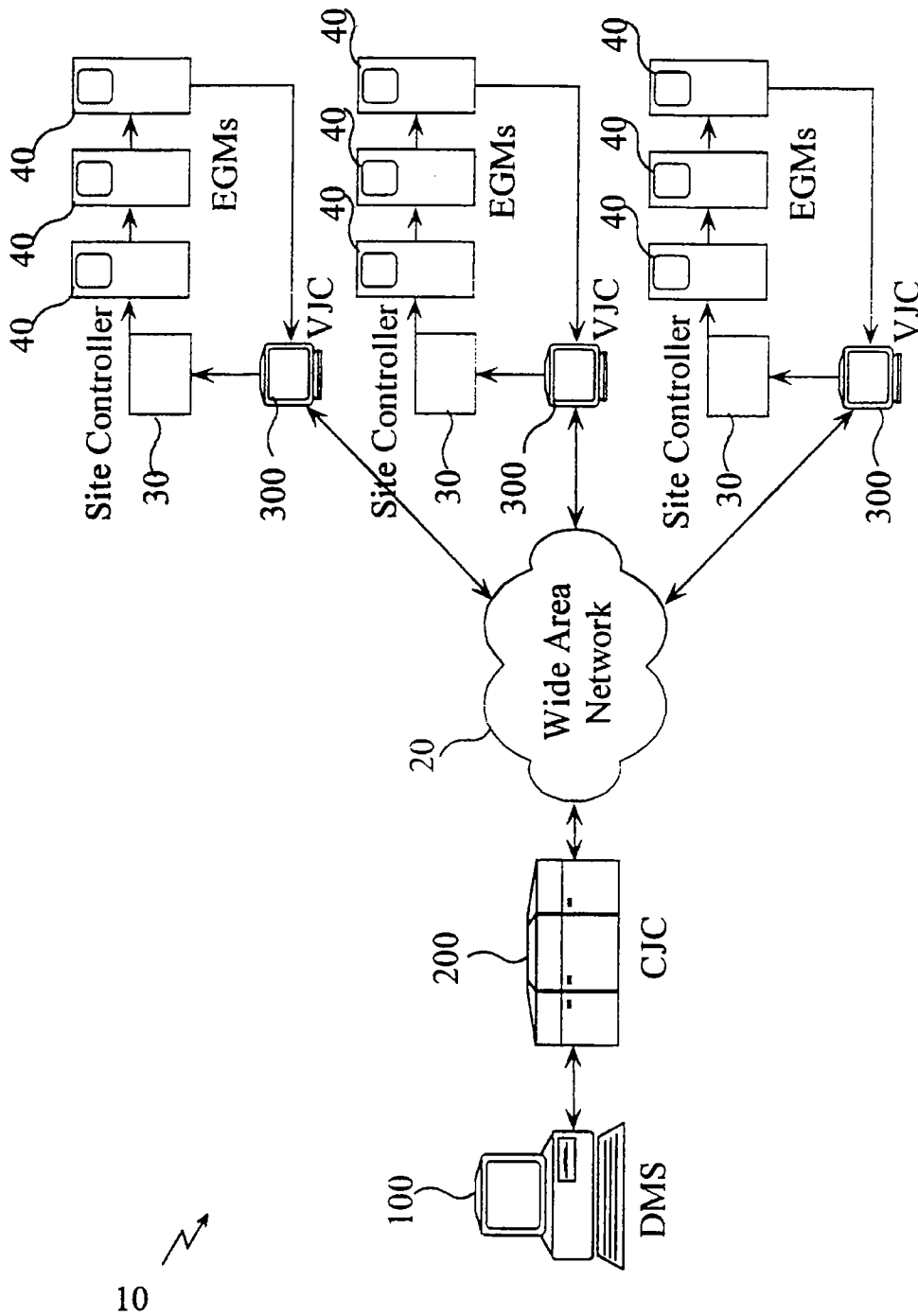


FIG. 1

Network Data Flow
Showing General Poll

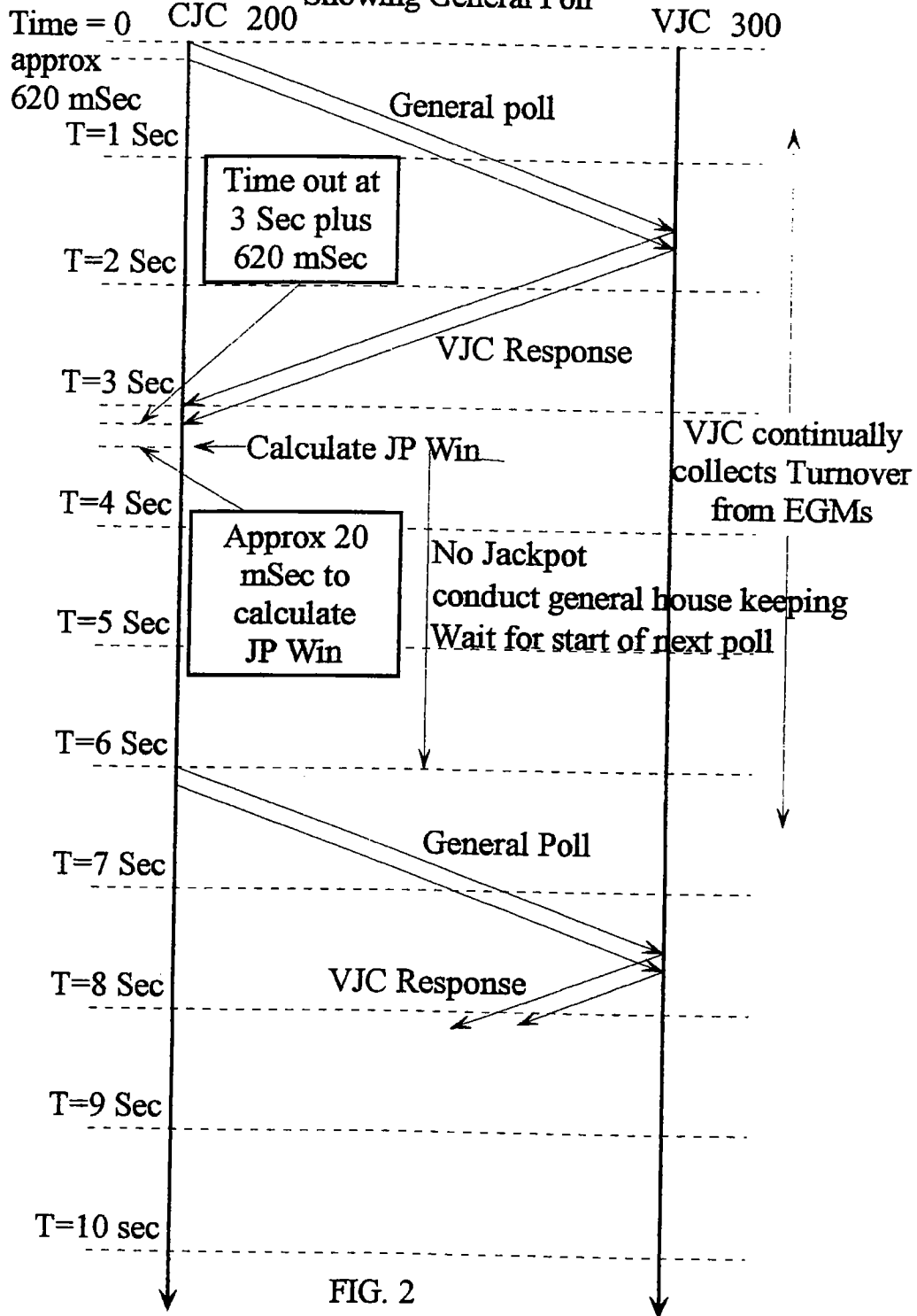
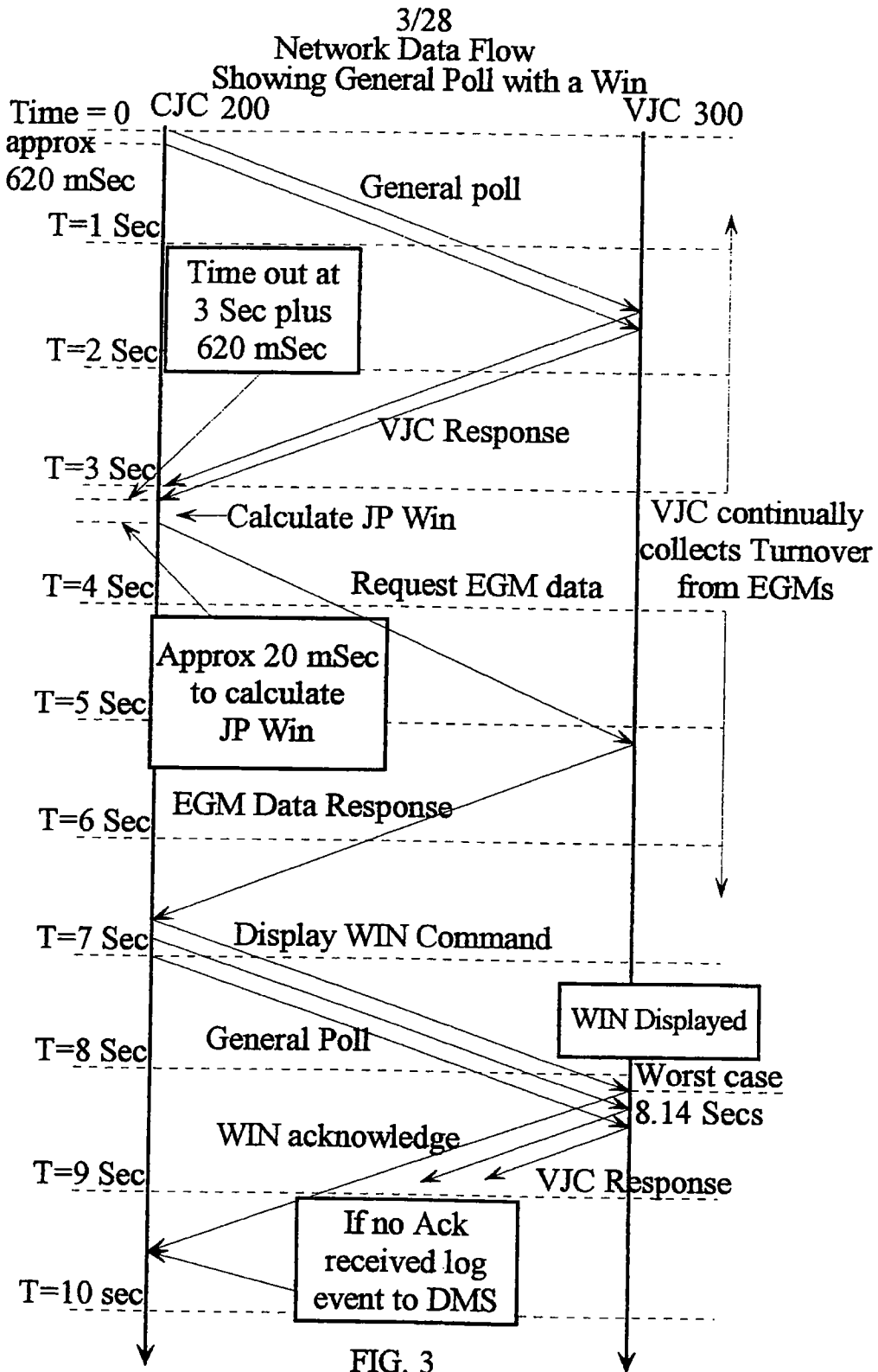


FIG. 2



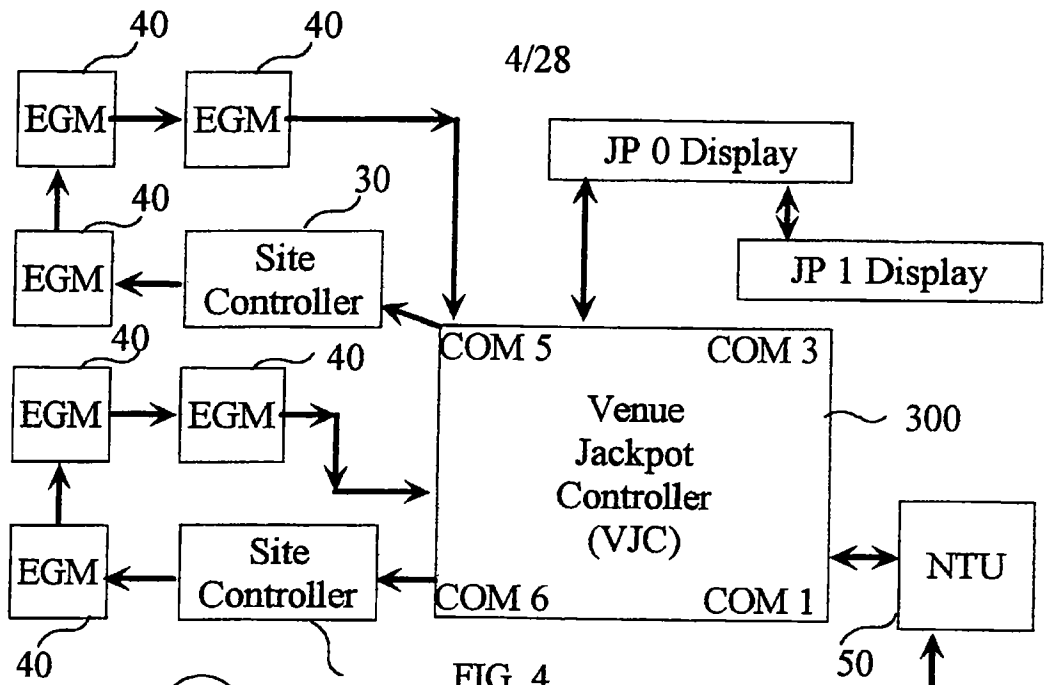


FIG. 4

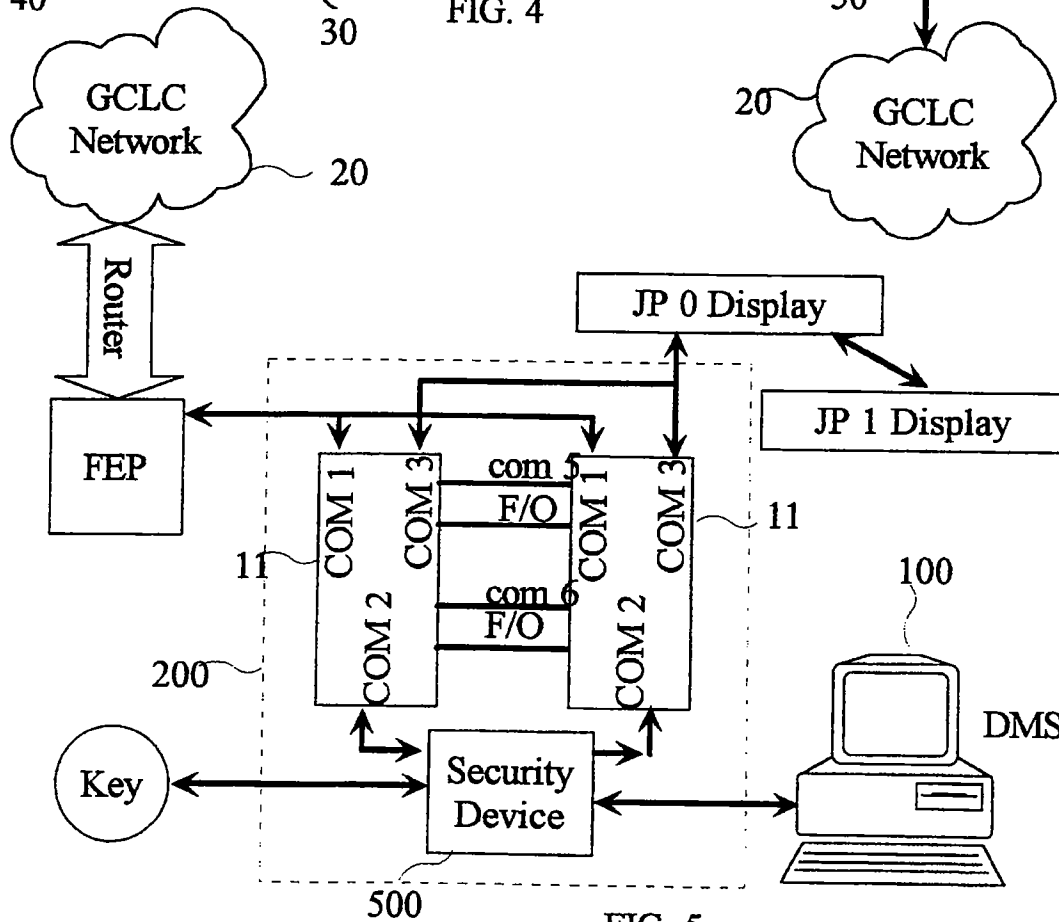


FIG. 5

VJC - Block Diagram

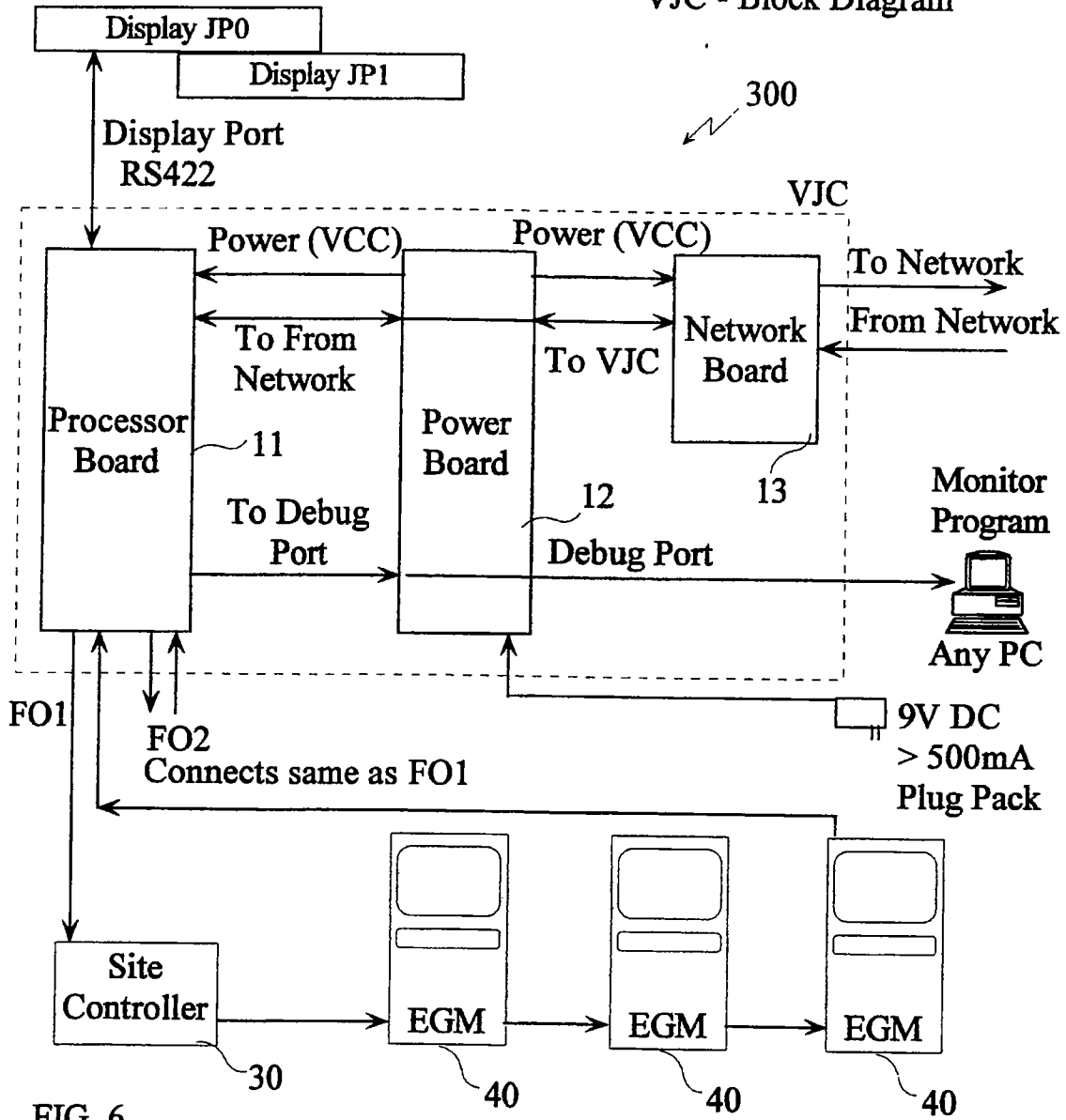


FIG. 6

6/28

CJC - Block Diagram

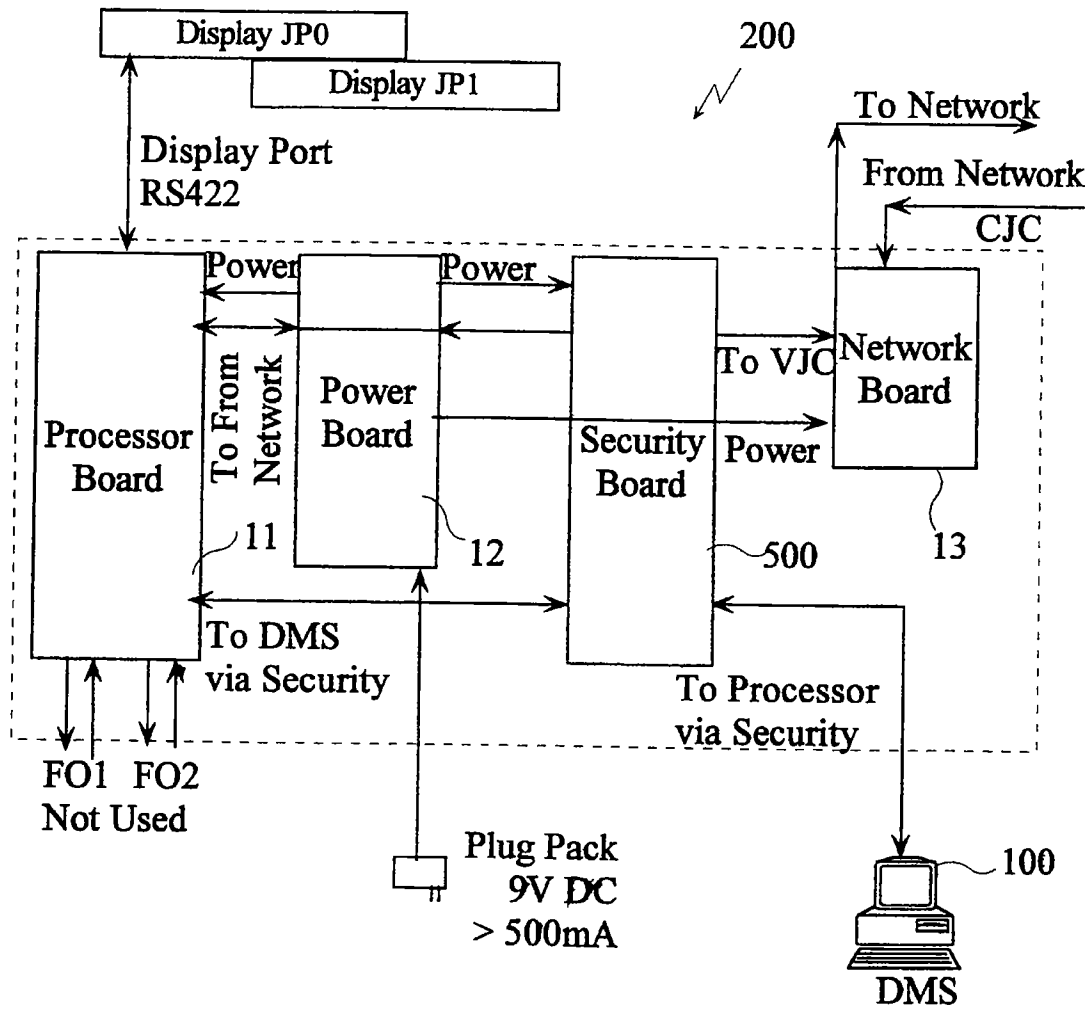


FIG. 7

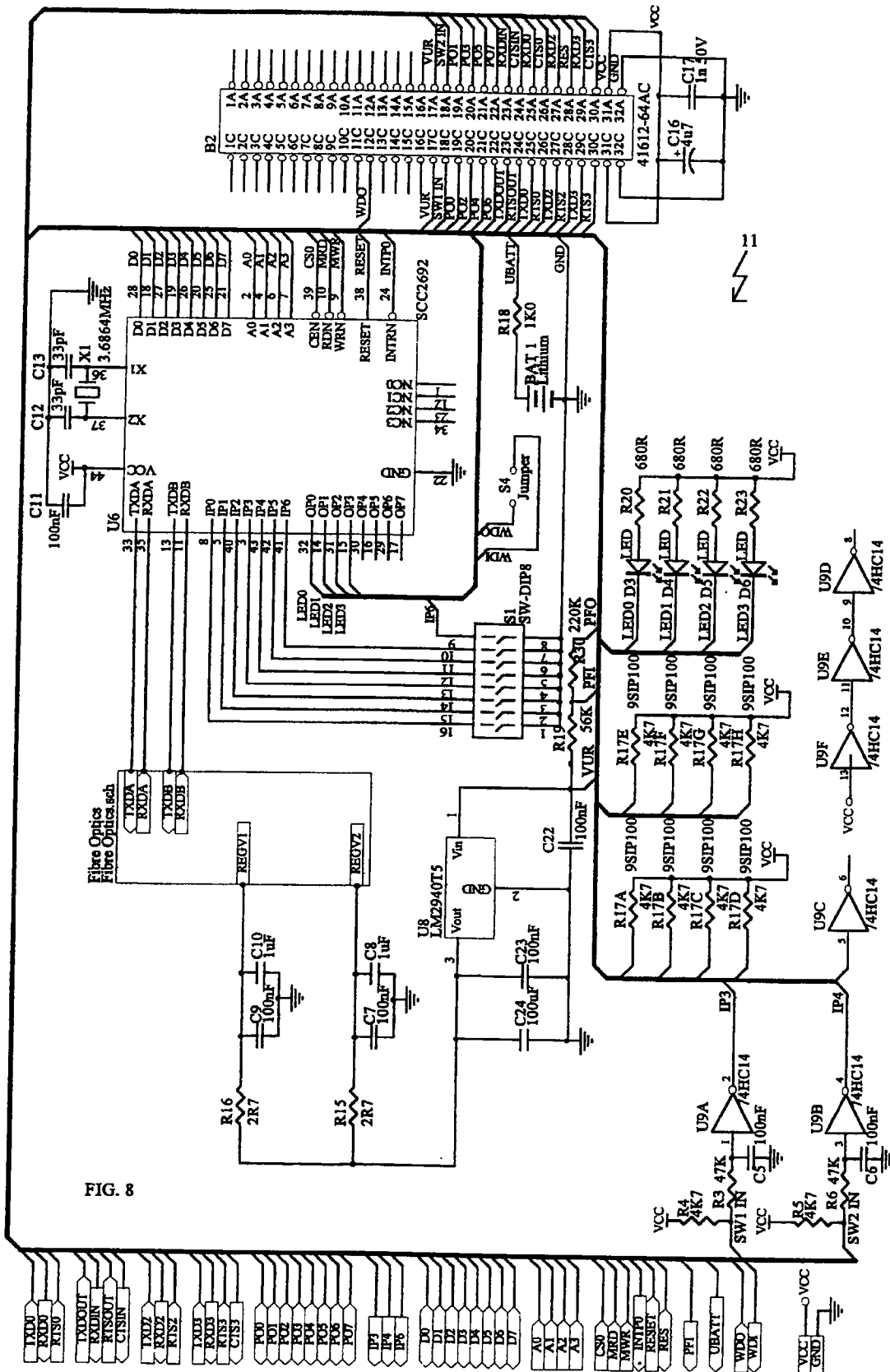


FIG. 8

8/28

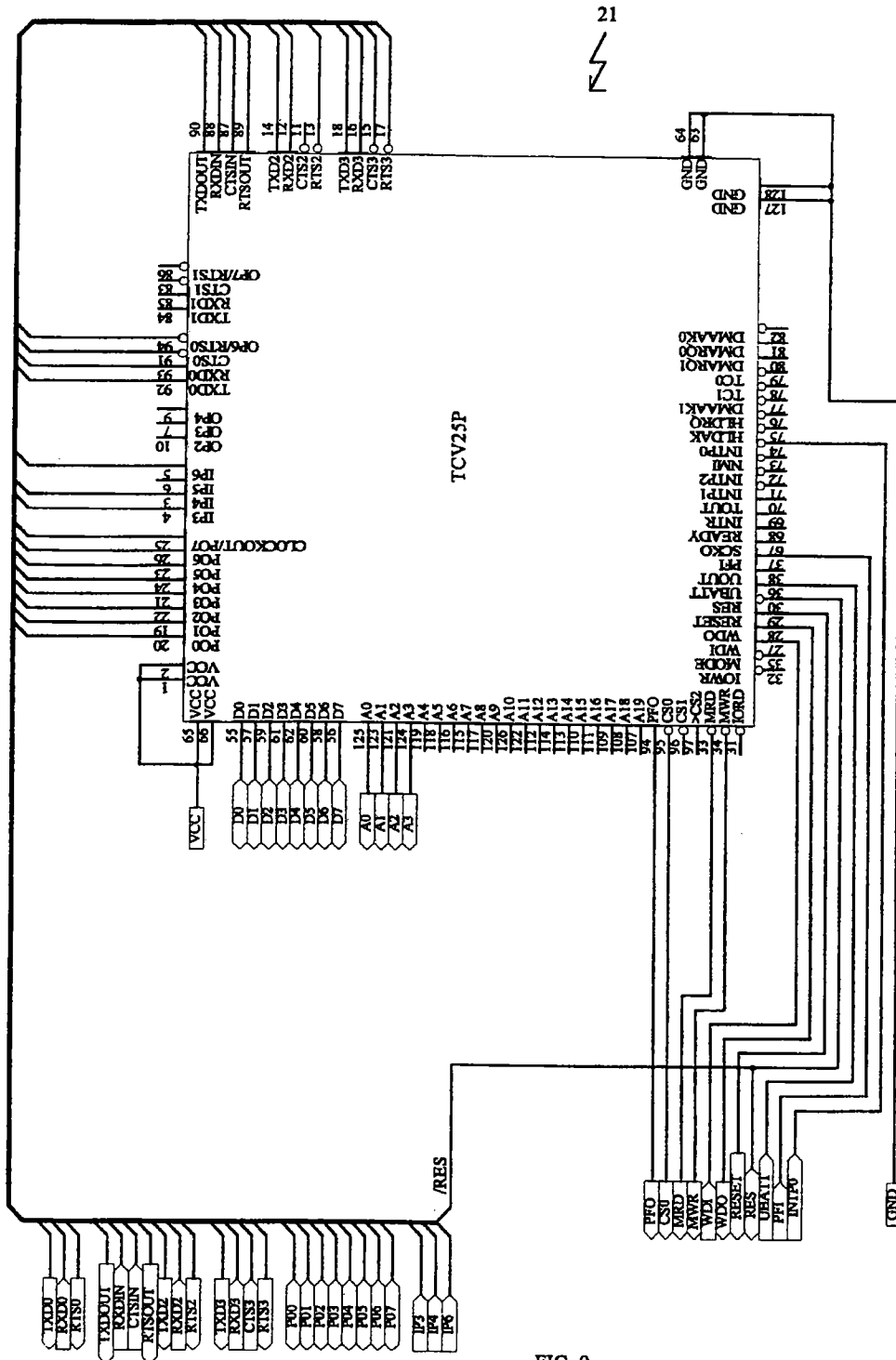


FIG. 9

9/28

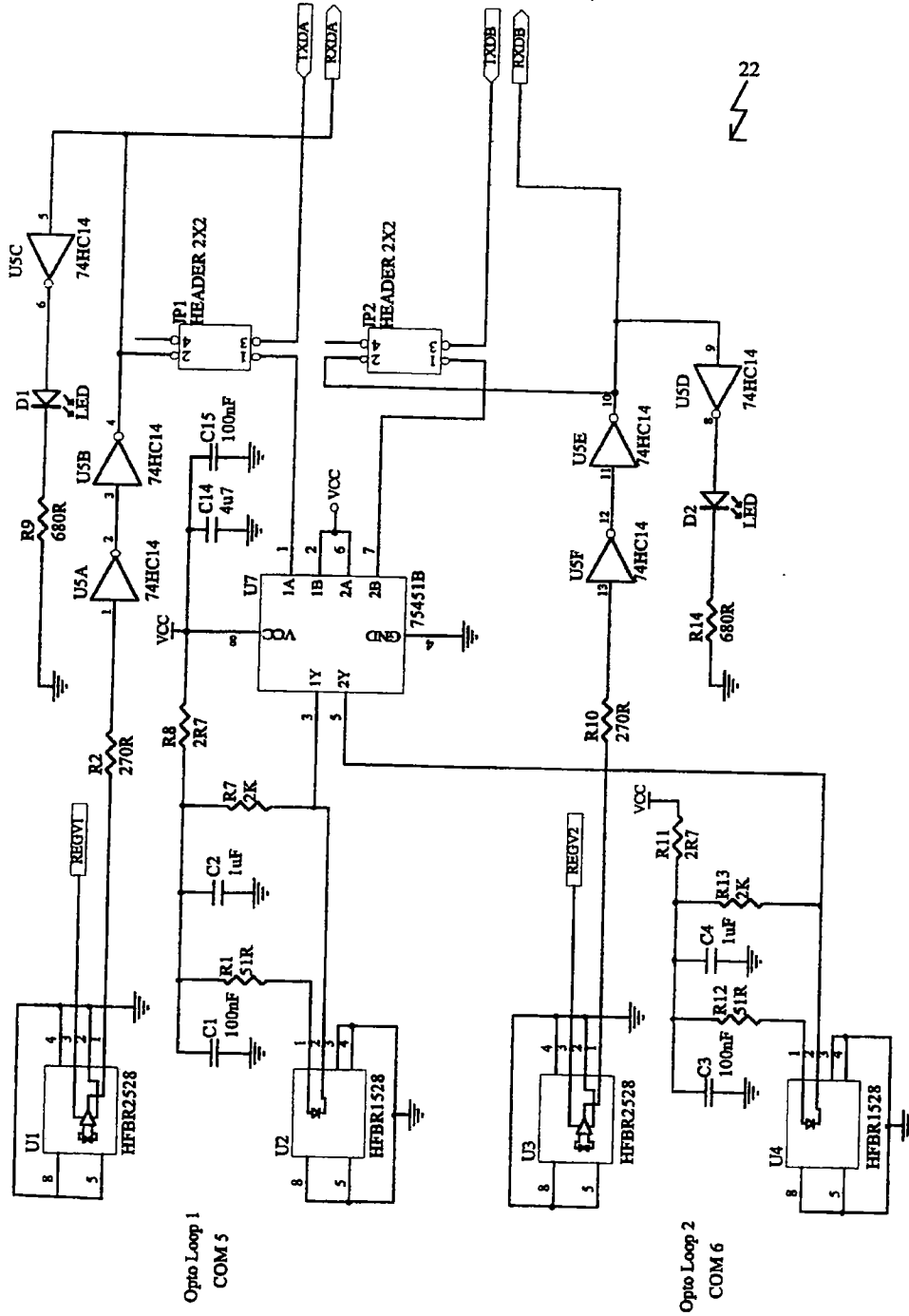


FIG.10

10/28

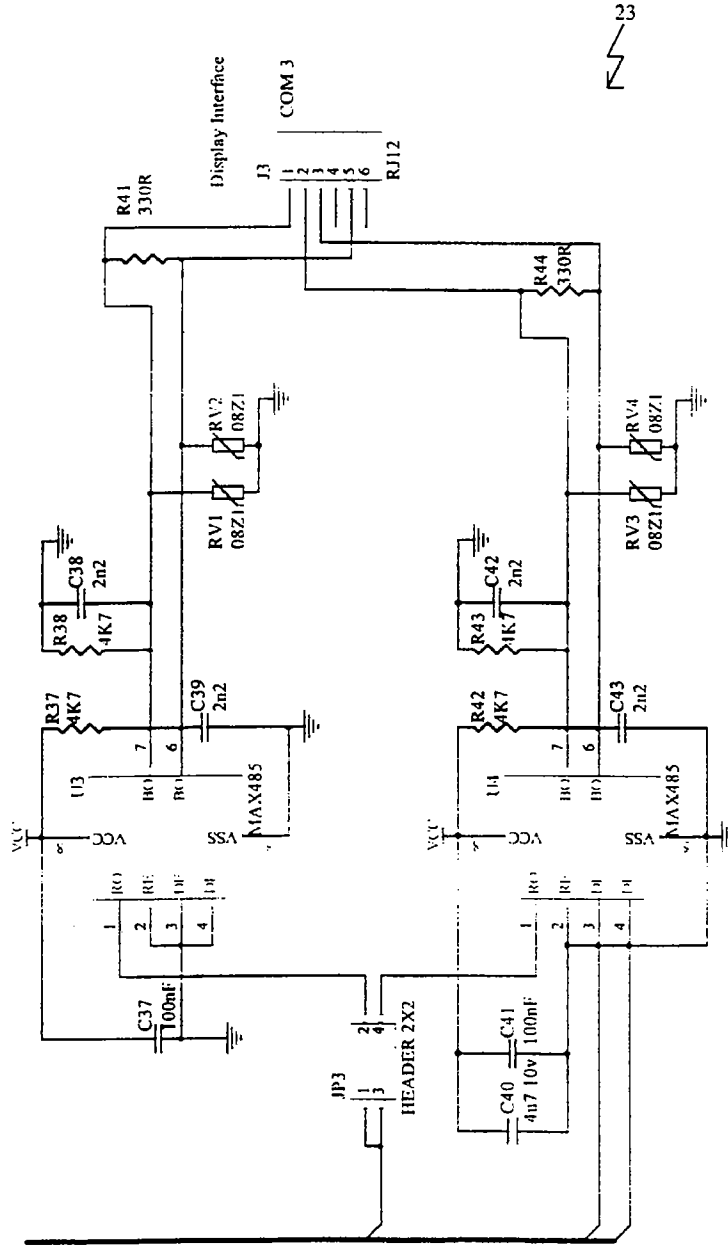


FIG. 11

VJC Software Flow

15/28

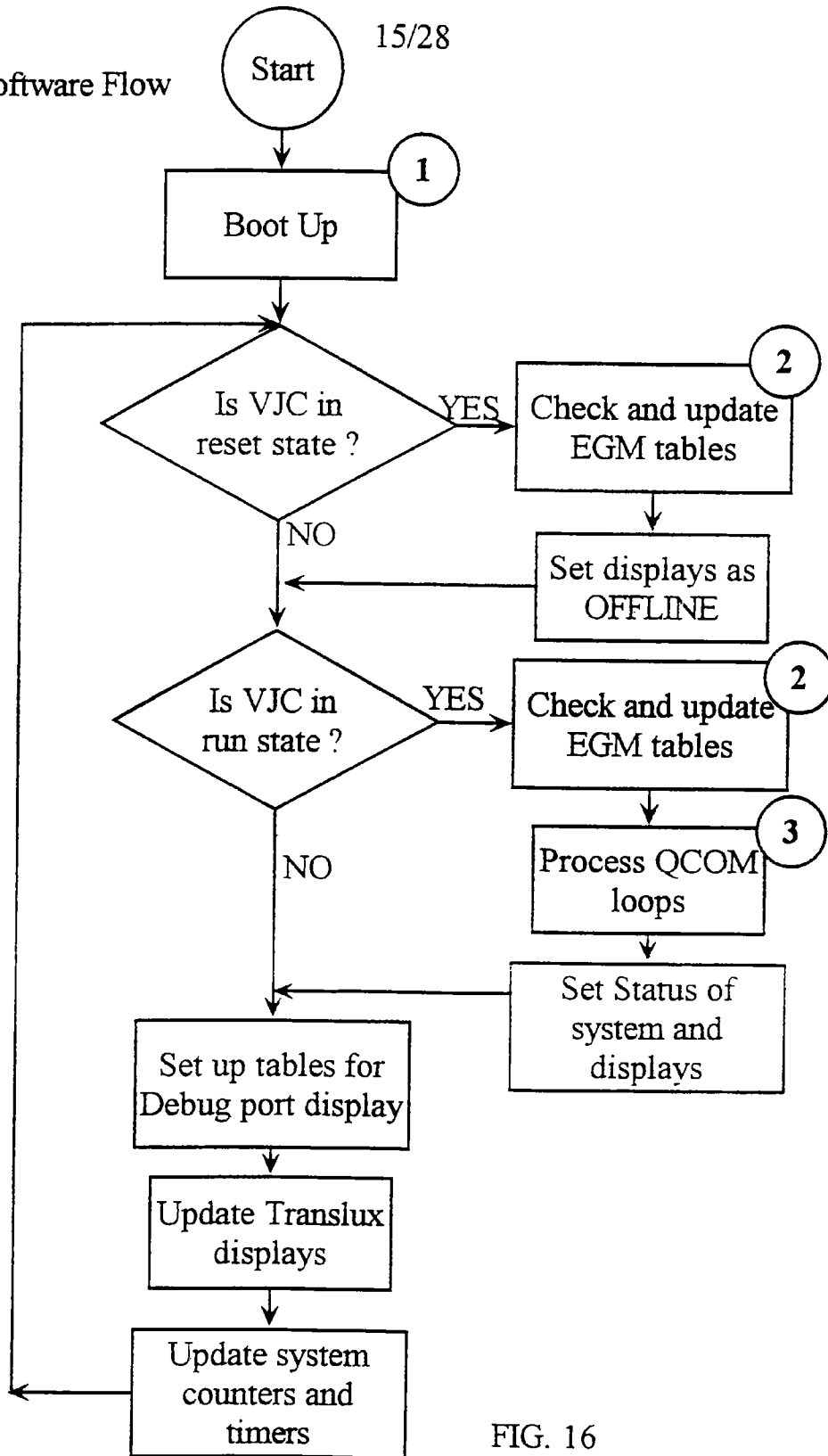


FIG. 16

16/28

VJC Boot Up Routine

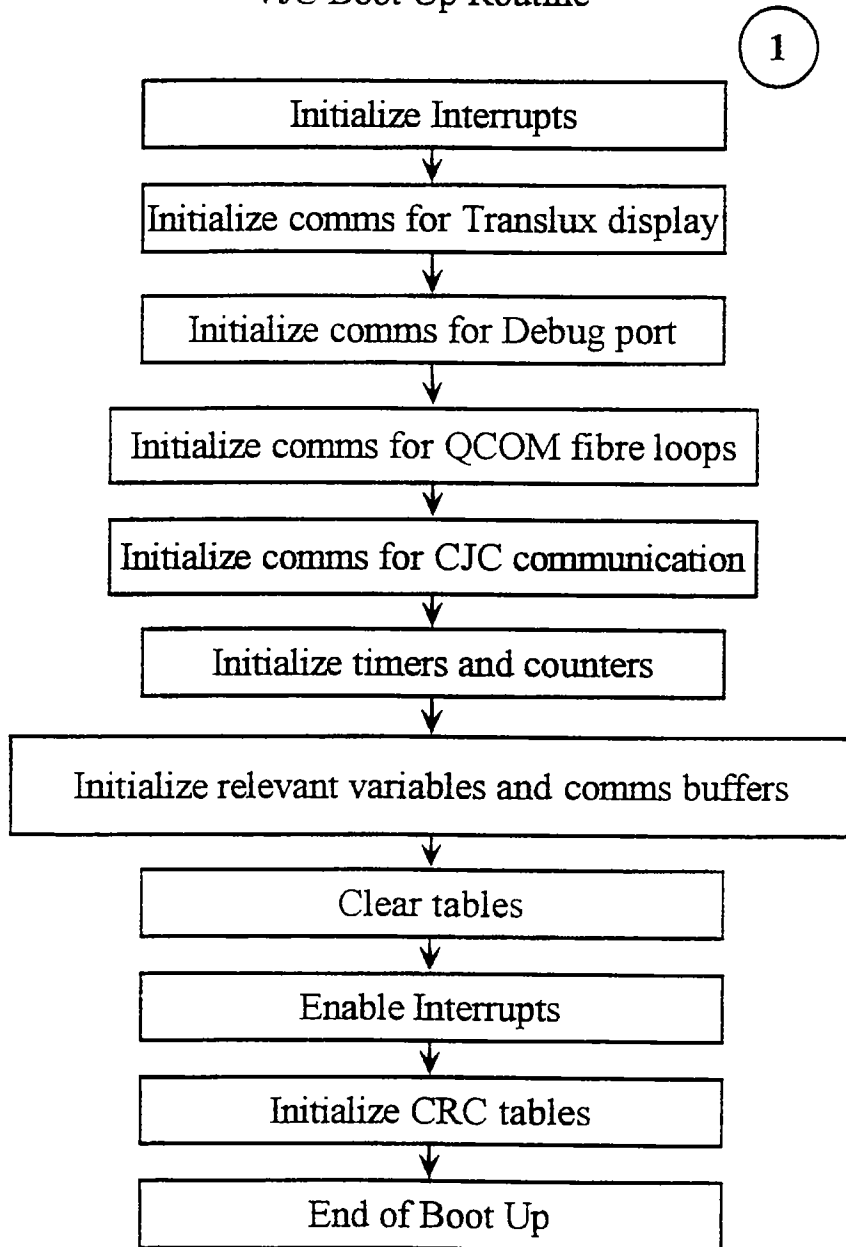


FIG. 17

17/28

Check and Update EGM Tables

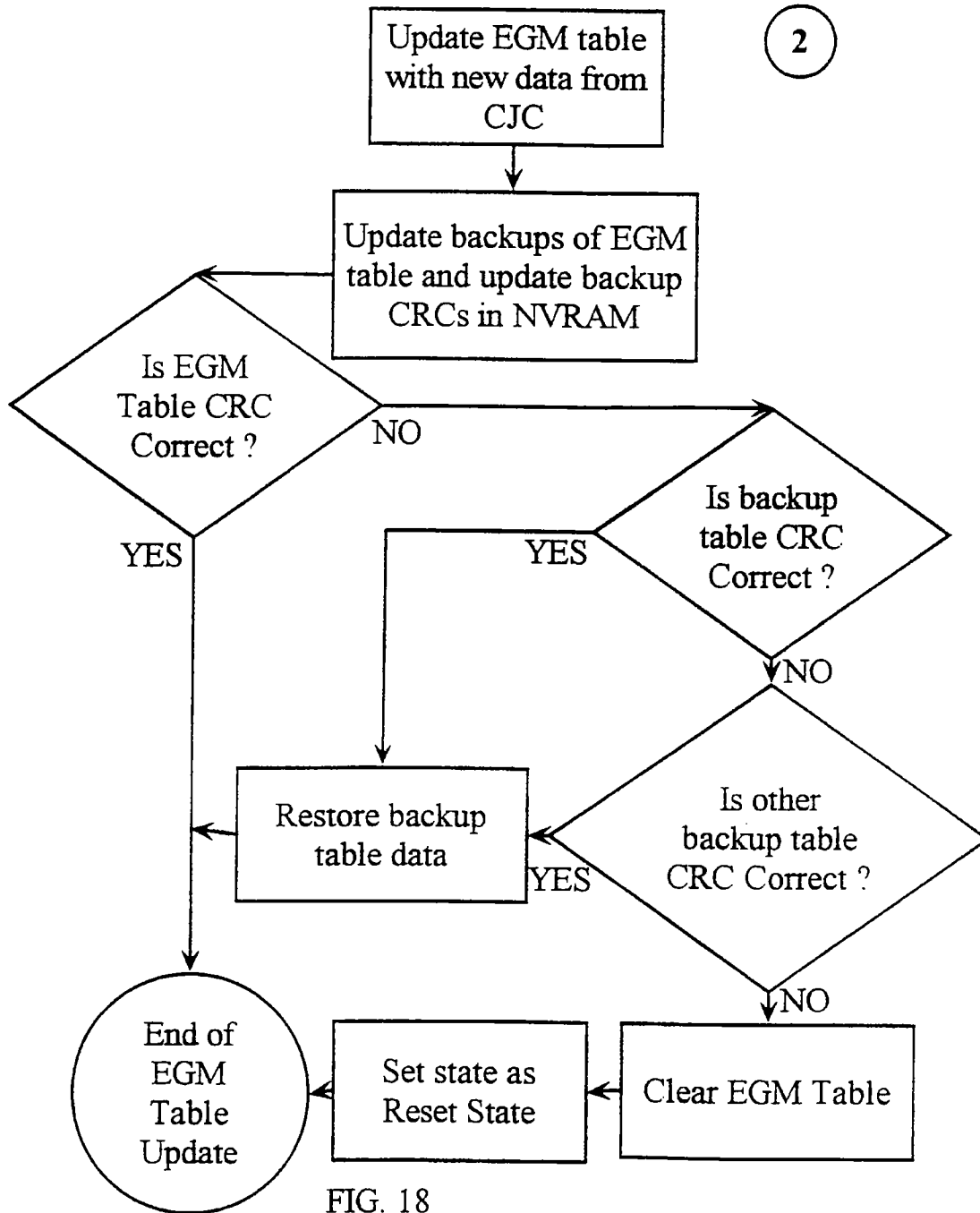


FIG. 18

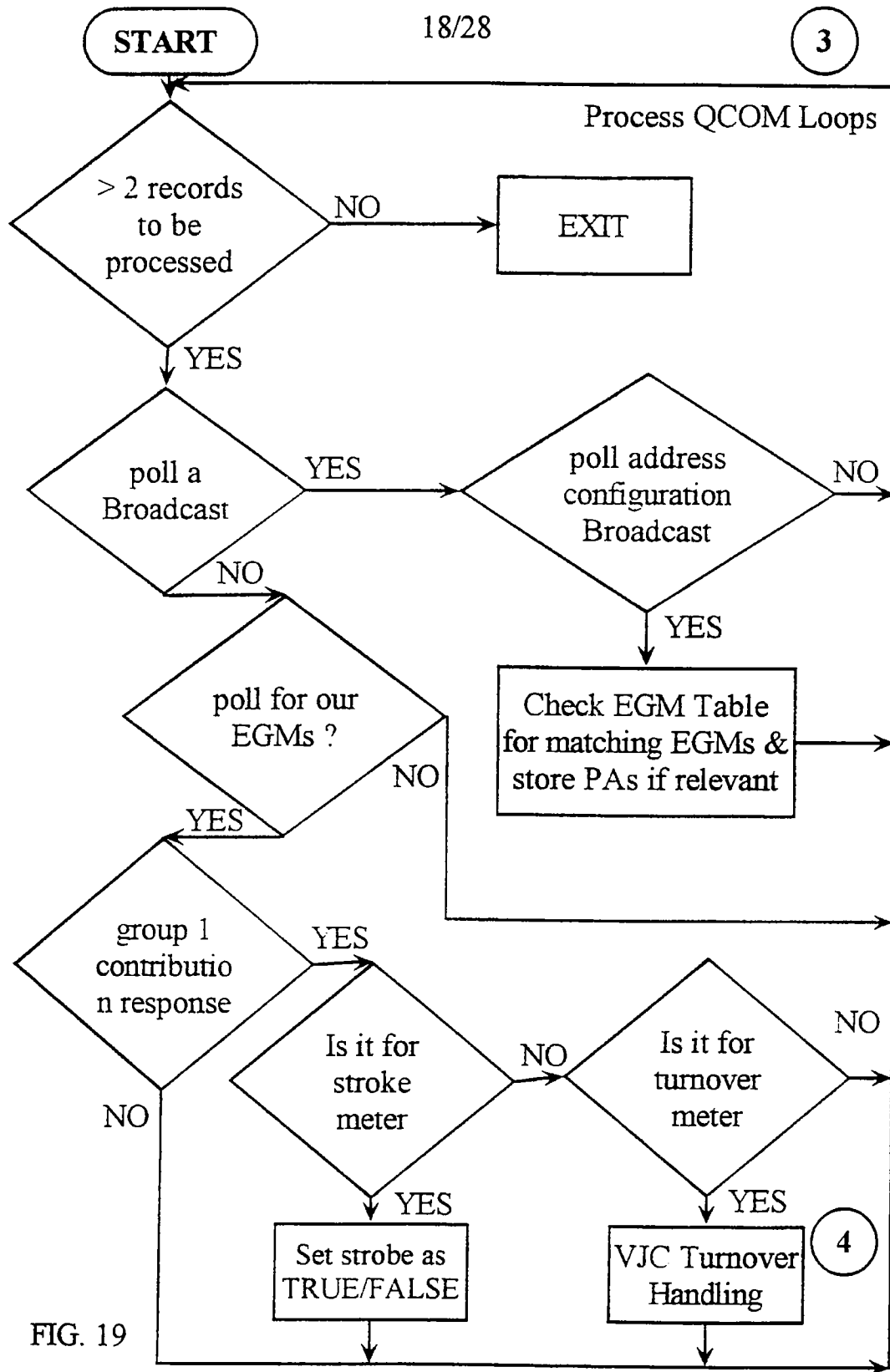


FIG. 19

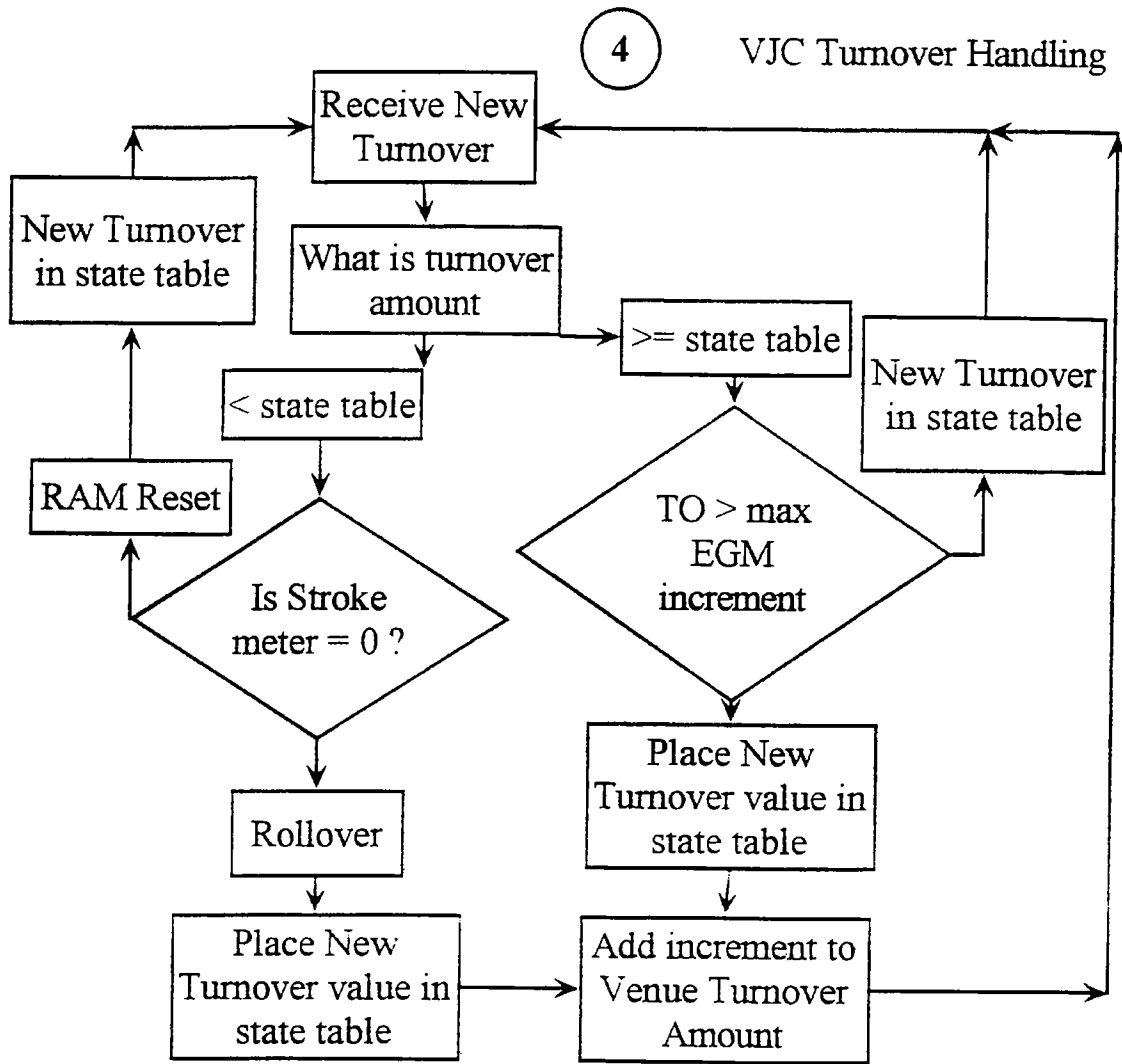
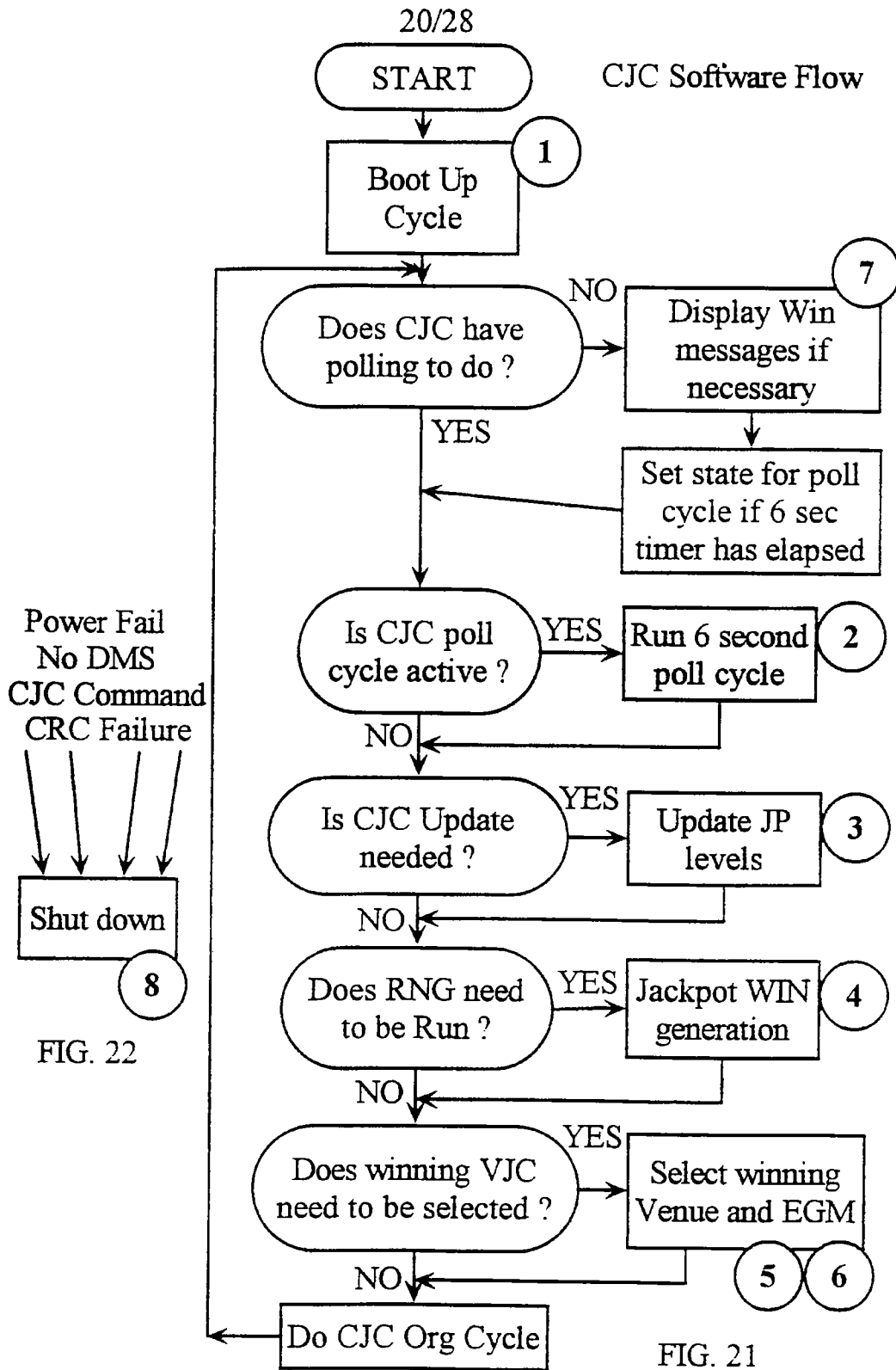


FIG. 20



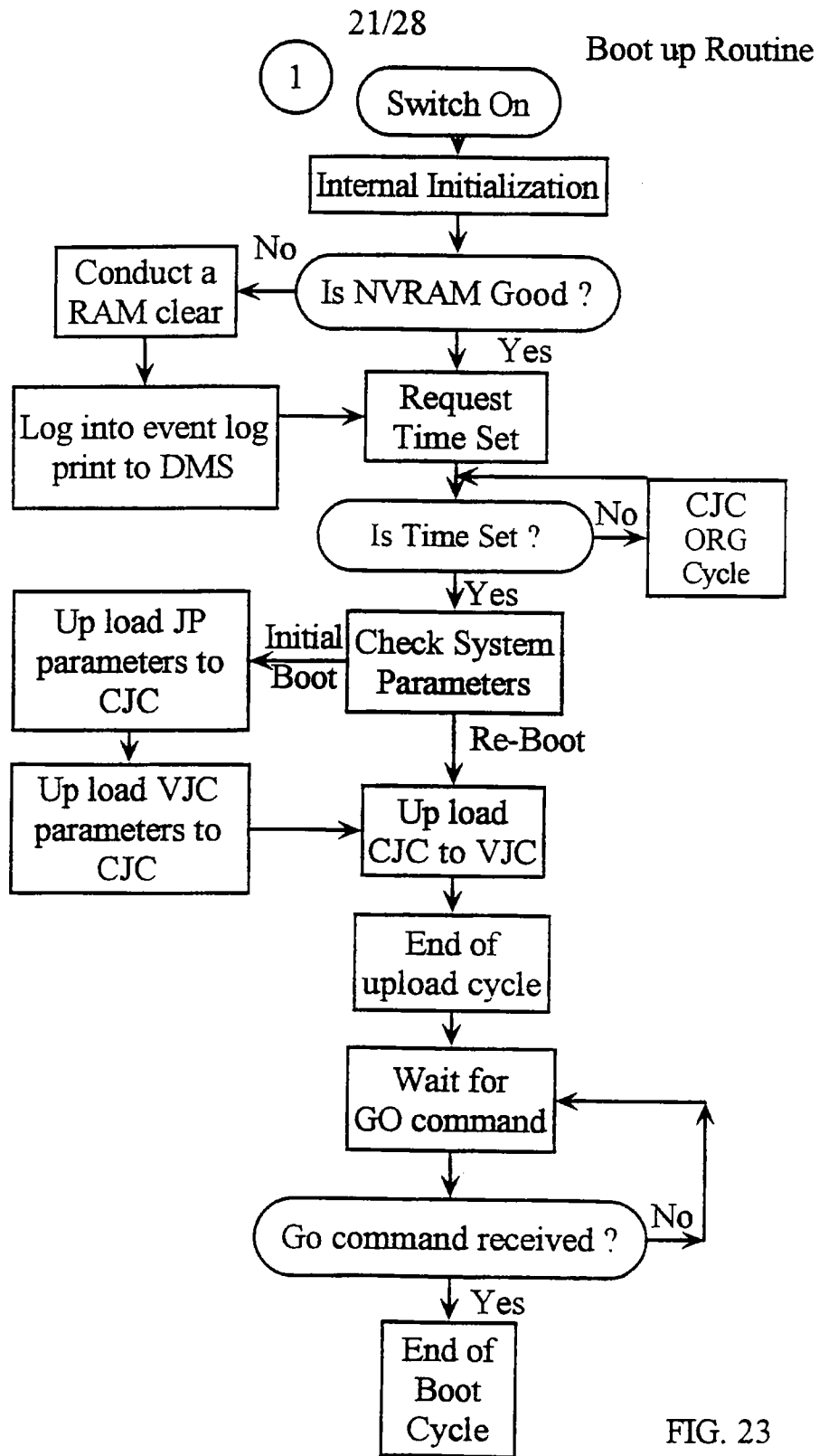


FIG. 23

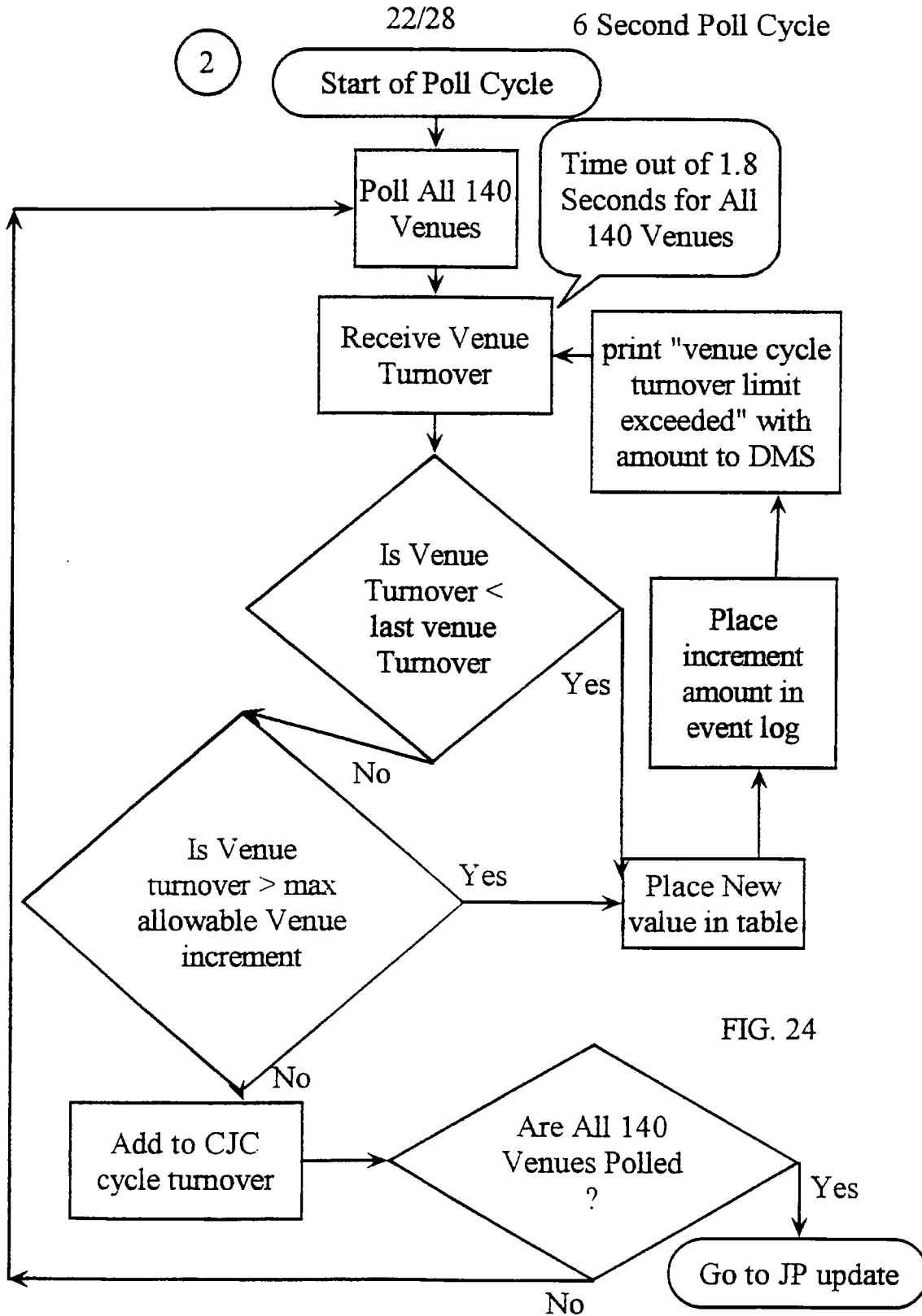


FIG. 24

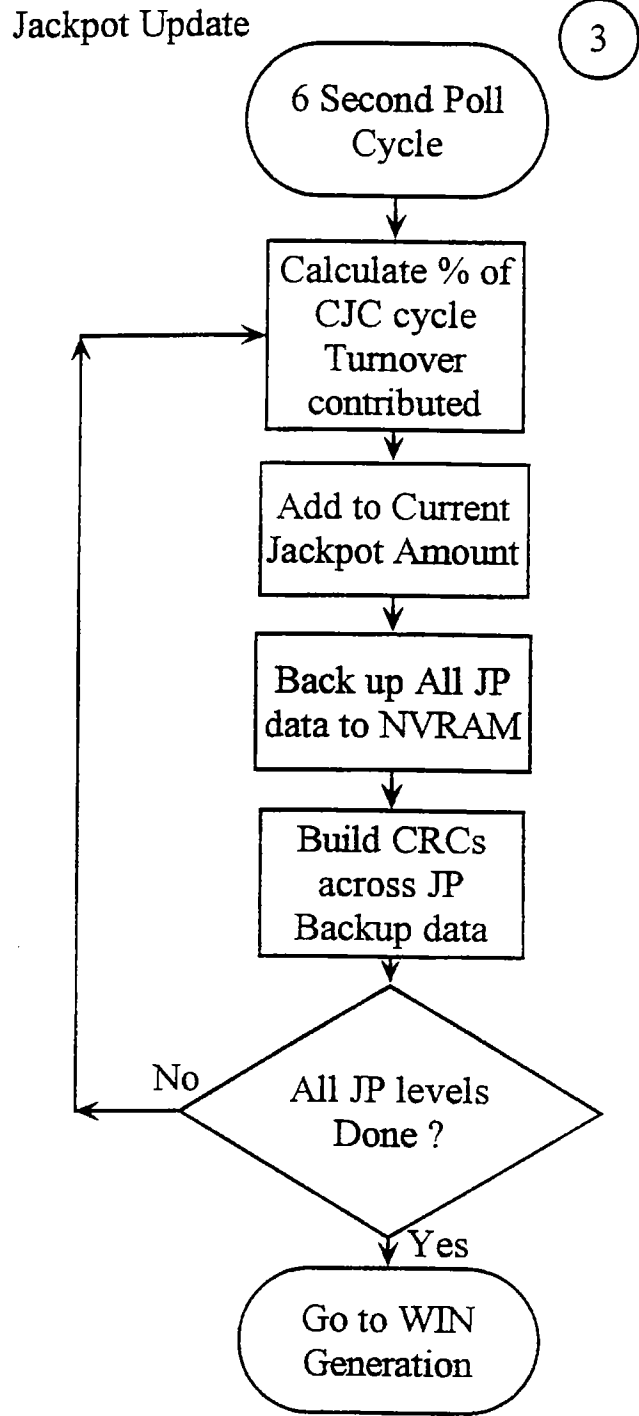


FIG. 25

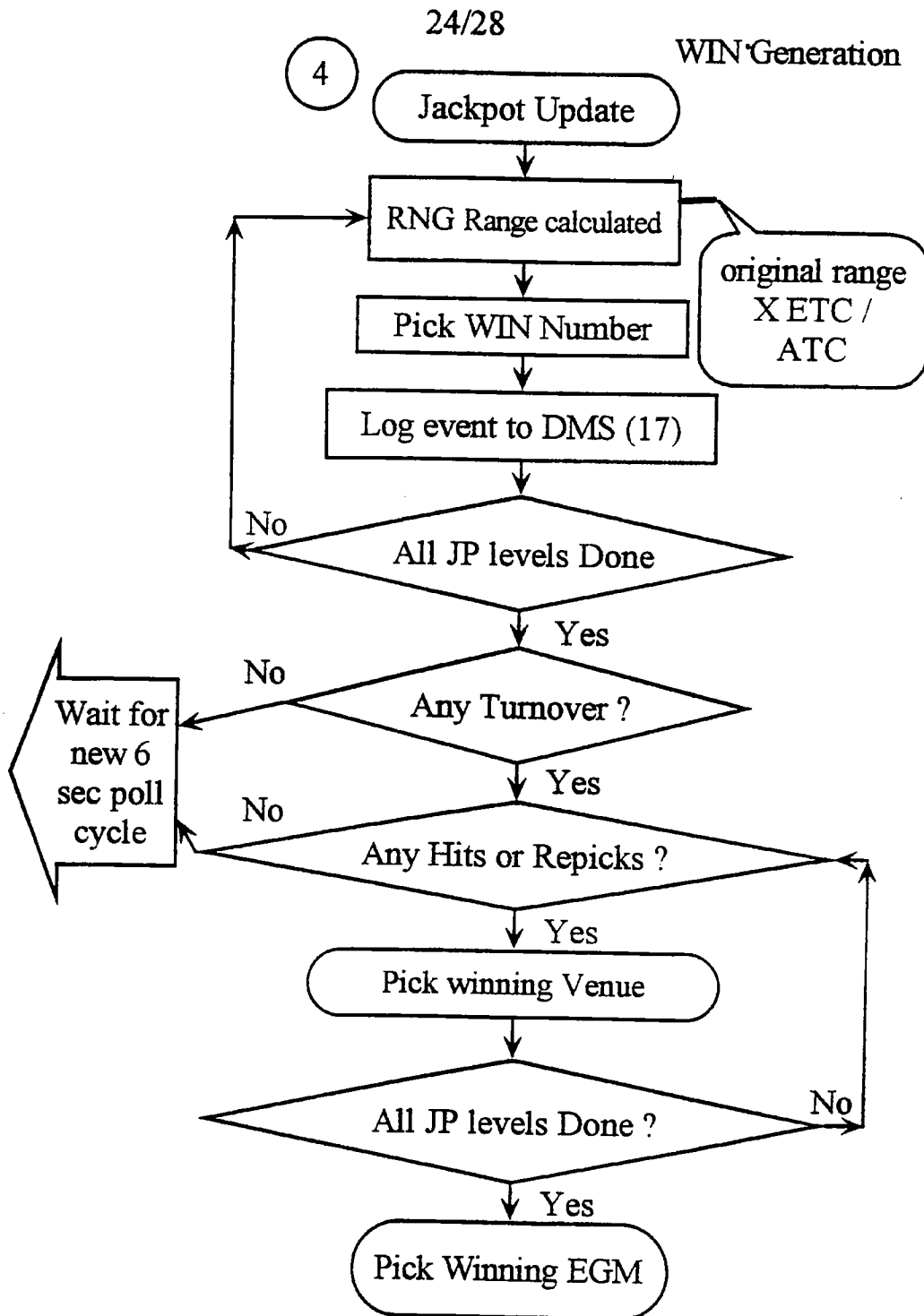


FIG. 26

25/28

Pick Winning Venue

5

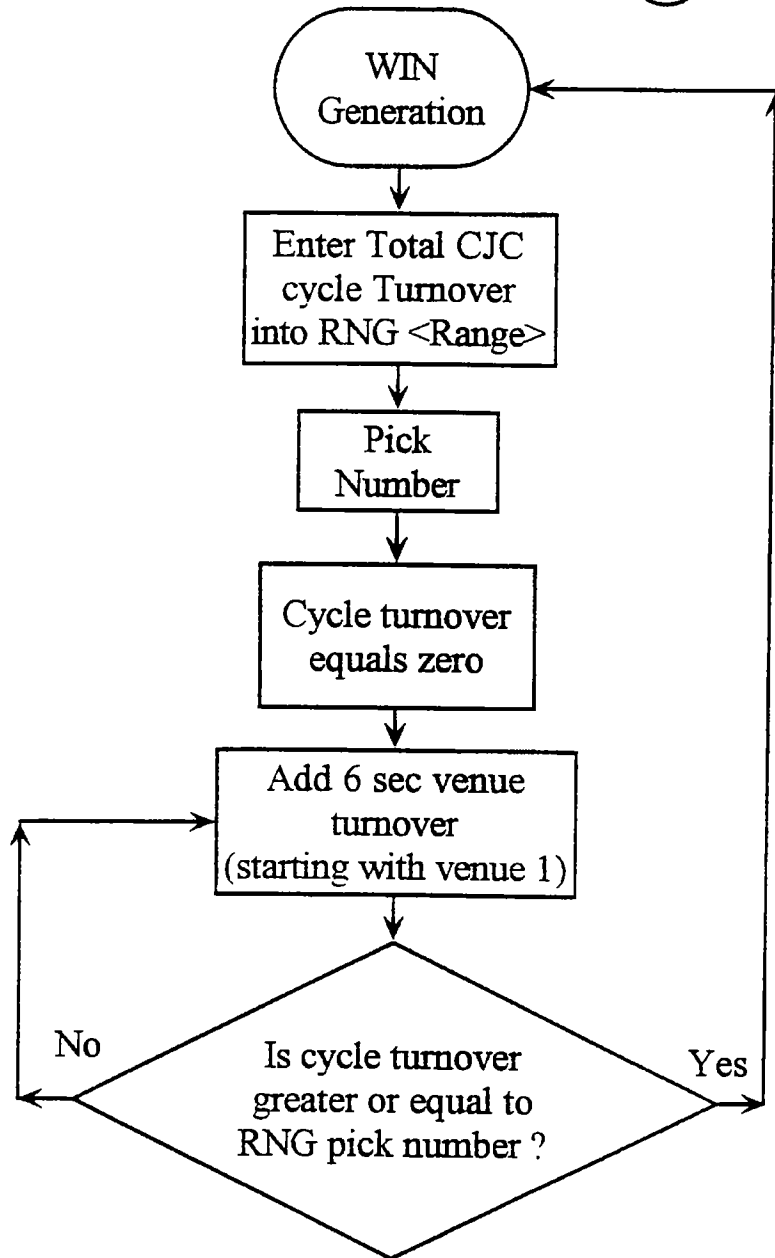


FIG. 27

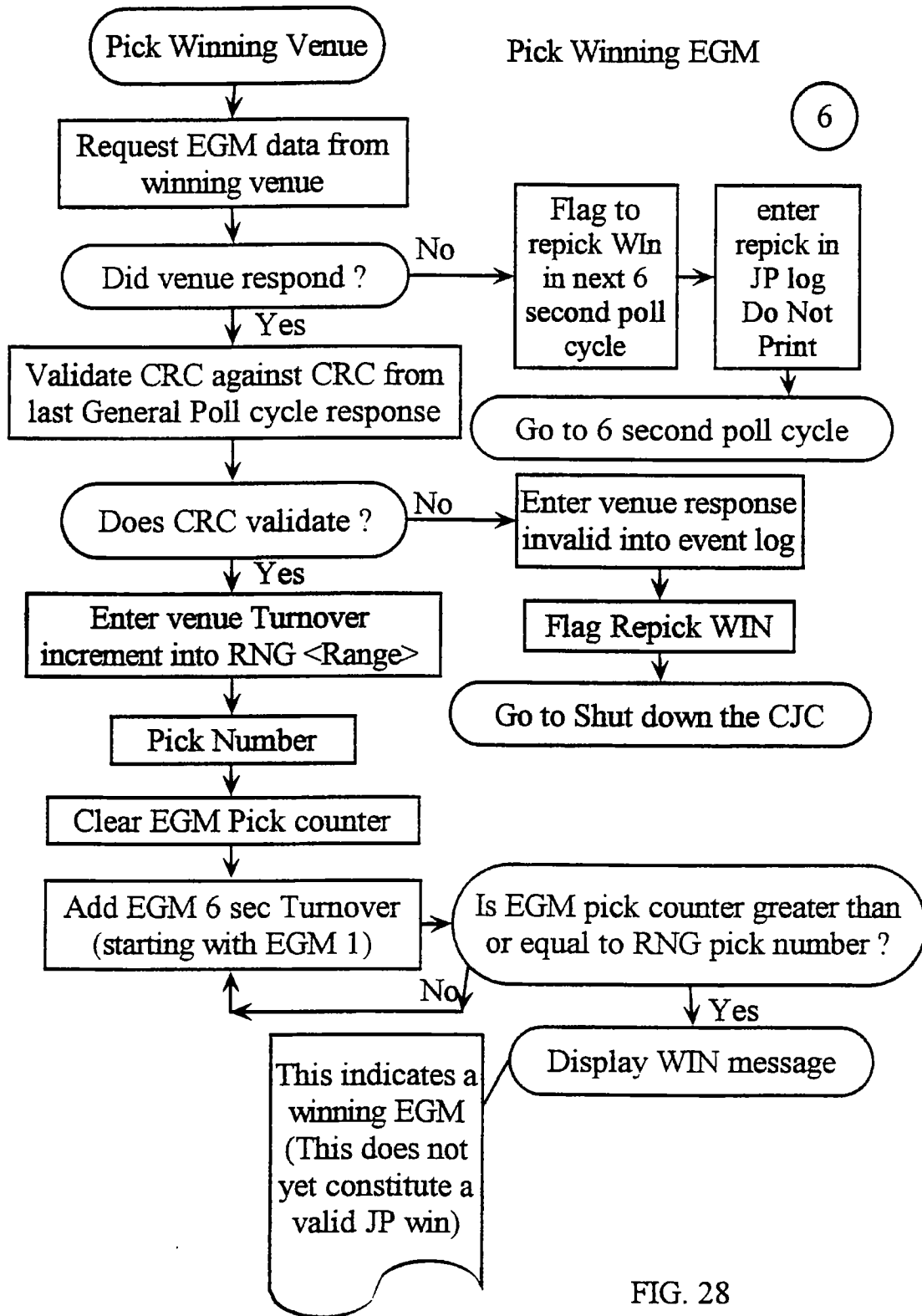


FIG. 28

Display WIN message

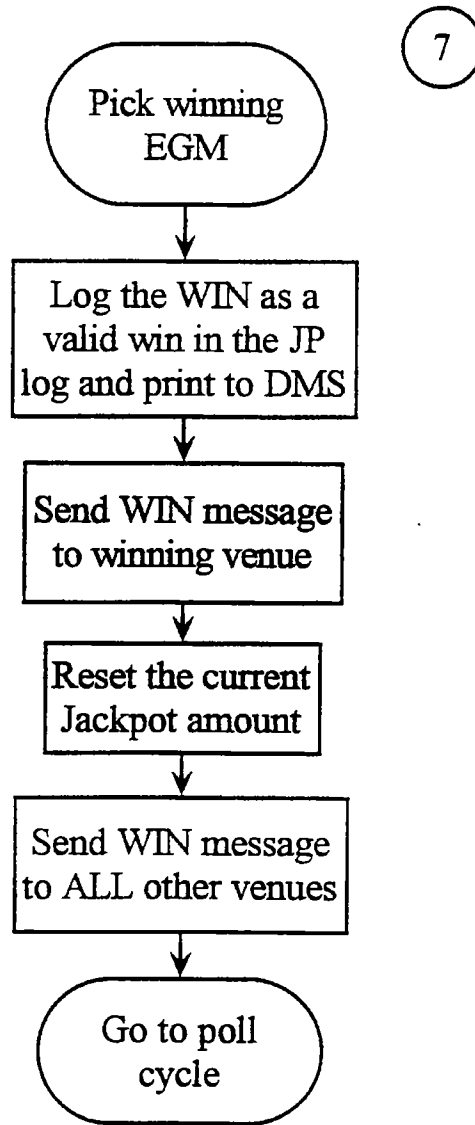


FIG. 29

8 Shut Down

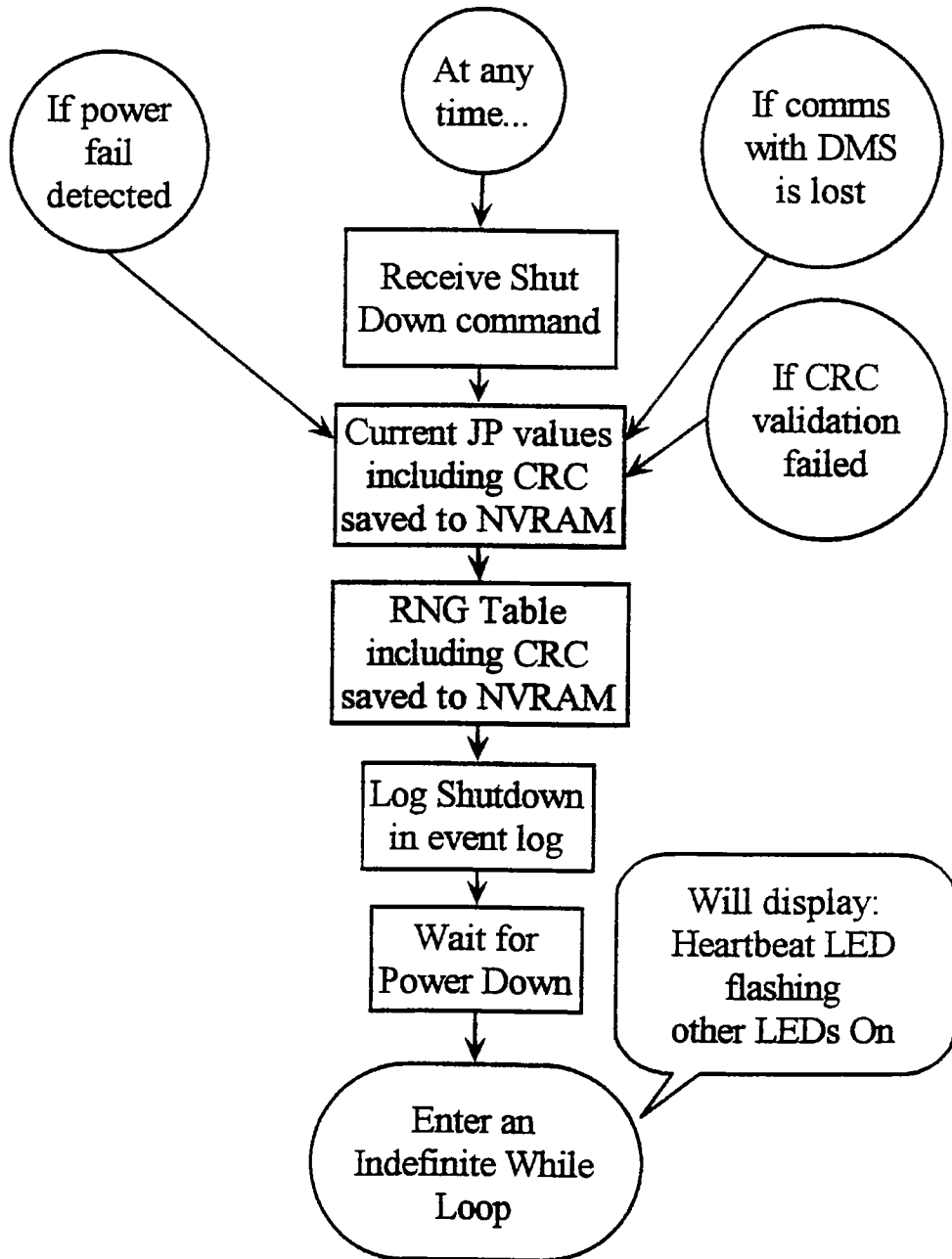


FIG. 30

INTERNATIONAL SEARCH REPORT

International application No.

PCT/AU00/01011

A. CLASSIFICATION OF SUBJECT MATTER		
Int. Cl. ⁷ : A63F 13/12, 13/10; G07F 17/34		
According to International Patent Classification (IPC) or to both national classification and IPC		
B. FIELDS SEARCHED		
Minimum documentation searched (classification system followed by classification symbols) IPC A63F 5/04, 9/22, 13'S; G07F 17/34		
Documentation searched other than minimum documentation to the extent that such documents are included in the fields searched AU: IPC AS ABOVE		
Electronic data base consulted during the international search (name of data base and, where practicable, search terms used) WPAT: GAMING MACHINE+; POKER MACHINE? FRUIT MACHINE?; SLOT MACHINE?; JACKPOT?; RANDOM		
C. DOCUMENTS CONSIDERED TO BE RELEVANT		
Category*	Citation of document, with indication, where appropriate, of the relevant passages	Relevant to claim No.
Y	WO 97/12338 A (WINTECH INVESTMENTS PTY.LTD) 3 April 1997 entire document	1-25
Y	WO 99/03078 A (ARISTOCRAT LEISURE INDUSTRIES PTY. LTD.) 21 January 1999 entire document	1-25
Y	AU 13023/92 A (FRANKOVIC) 24 September 1992 entire document	1-25
<input checked="" type="checkbox"/> Further documents are listed in the continuation of Box C <input checked="" type="checkbox"/> See patent family annex		
* "A" "E" "L" "O" "P"	Special categories of cited documents: document defining the general state of the art which is not considered to be of particular relevance earlier application or patent but published on or after the international filing date document which may throw doubts on priority claim(s) or which is cited to establish the publication date of another citation or other special reason (as specified) document referring to an oral disclosure, use, exhibition or other means document published prior to the international filing date but later than the priority date claimed	"T" "X" "Y" "&" later document published after the international filing date or priority date and not in conflict with the application but cited to understand the principle or theory underlying the invention document of particular relevance; the claimed invention cannot be considered novel or cannot be considered to involve an inventive step when the document is taken alone document of particular relevance; the claimed invention cannot be considered to involve an inventive step when the document is combined with one or more other such documents, such combination being obvious to a person skilled in the art document member of the same patent family
Date of the actual completion of the international search 14 December 2000		Date of mailing of the international search report 19 DEC 2000
Name and mailing address of the ISA/AU AUSTRALIAN PATENT OFFICE PO BOX 200, WODEN ACT 2606, AUSTRALIA E-mail address: pct@ipaaustralia.gov.au Facsimile No. (02) 6285 3929		Authorized officer CHARLES BERKO Telephone No : (02) 6283 2169

INTERNATIONAL SEARCH REPORT

International application No.

PCT/AU00/01011

C (Continuation). DOCUMENTS CONSIDERED TO BE RELEVANT		
Category*	Citation of document, with indication, where appropriate, of the relevant passages	Relevant to claim No.
Y	US 5263716 A (SMYTH) 23 November 1993 Entire document	1, 9
Y	DE 19524135 A (NSM AG) 9 January 1997 Entire document, see English language abstract	1, 9
Y	AU 84162/98 A (ARISTOCRAT LEISURE INDUSTRIES PTY. LTD.) 25 May 1999 Entire document, see also for example claims 16 and 36	1-25
A	ZA 9901056 A (GLOBAL RESORTS SA PTY LTD) 27 October 1999 Abstract	

INTERNATIONAL SEARCH REPORT
Information on patent family members

International application No.
PCT/AU00/01011

This Annex lists the known "A" publication level patent family members relating to the patent documents cited in the above-mentioned international search report. The Australian Patent Office is in no way liable for these particulars which are merely given for the purpose of information.

Patent Document Cited in Search Report		Patent Family Member					
WO	9712338	AU	69806/96	CA	2233039	GB	2323303
		NZ	318340				
WO	9903078	AU	81994/98				
AU	13023/92	NONE					
US	5263716	US	5102134				
DE	19524135	NONE					
AU	84162/98	NONE					
ZA	9901056	NONE					
END OF ANNEX							